

Operating and Maintenance Instructions

Instrucciones de Funcionamiento y Mantenimiento

Instruções de Funcionamento e Manutenção

- Air Driven Gas Booster
Compressors
8" Drive AG Series
- Compresores Elevadores
de Presión de Gas con
Accionamiento Neumático
Serie AG 8"



- Compressores de Gás Tipo Gas Booster com Comando
Pneumático
Série AG 8"

1. Introduction

Information contained in these general Operation and Maintenance Instructions pertain to the 8AG Series Air Driven Gas Booster Compressors. Current basic model designations are: 8AGD-1, -2, -2.8, -5, -14, -30, -60, -150 and 8AGT-5/14, -5/30, -14/30, -14/60, -30/60, -30/150, and -60/150. The information will also apply to specialized modifications of standard units – such as those with special seals or other materials for uncommon drive media, gas pumped or environmental conditions; and/or those with special port connections, installed accessories, etc., for special purposes. Although these modifications will not be covered in detail in these instructions they will be described in detail on the modified assembly/parts list, and installation drawings attached to each unit at time of shipment.

These gas boosters are high flow, air driven, (normally), reciprocating piston type non-lube, oil-free gas compressors available in both single stage, double acting (Model 8AGD) and two stage (Model 8AGT) configurations. The model dash number is the approximate area ratio of the air drive piston area to gas piston area. Thus an 8AGD-5 has a working air drive area of about 5 times the area of either gas piston an 8AGT-5/14, an air drive area of about 5 times the area of the first stage and about 14 times the area of the second stage.

2. Description

2.1 General Principles of Operation

The air, drive piston in the center of the unit reciprocates automatically powered through the use of a nondetented, unbalanced 4-way, air valve spool. This spool valve shifts by being alternately pressurized and vented on one end by the pilot air system. The pilot air is controlled by two pilot air valves mechanically actuated by the drive piston. This air drive is directly connected to the two gas booster section pistons, opposite each other on either end. The gas booster pistons are designed to reciprocate dry without lubrication, and to boost inlet gas to desired output - free of hydrocarbon contamination.

Exhaust from the air drive (chilled due to the expansion after performing work) is used to cool the gas piston barrels (through the jackets), and the high pressure output and interstage gas lines (through the plenum cooler).

2.2 Air Drive Section

Refer to the detailed assembly drawings of the cycling valve and drive section provided with each unit. The drive section consists of the drive piston assembly; the unbalanced spool type 4-way cycling valve assembly and two pilot stem valves. Porting consists of a drive inlet port, two large exhaust ports; plus pilot input, pilot vent and a gauge access port (plugged) into the pilot system. NPT thread is standard.

One pilot valve is located in the control valve end cap and one in the flow fitting end cap. A flow tube connects drive air flow from the valve end cap to the opposite end cap, and a pilot tube connects the two pilot valves, which are in series. The cycling spool valve operates without springs or detents and is cycled by the pilot valves which alternately pressurize and vent the large area inside the pilot piston inserted in the end of the spool valve. The pilot vent exhaust port is in the flow fitting end cap.

2.2.1 LUBRICATION

At assembly, light silicone grease (Haskel P/N 50866) is applied to all moving parts and seals (in the drive section only-not gas sections). Occasional reapplication of this grease is suggested to the readily accessible cycling spool seals depending on duty cycle. See Paragraph 5.2.3.1. Also available is extreme service cycling modification No. 54312 which enables continuous operation of the drive without further lubrication.

If not otherwise installed by the factory, always install a conventional bowl type, shop air filter/water separator of the same or larger size on the incoming air drive plumbing and maintain it regularly.

Do not use an airline lubricator.

2.3 Gas Boosting Section

Refer to the detailed assembly drawing on the gas pumping section(s) provided with each unit. Each gas pumping section consists of a gas barrel with cooling jacket, piston assembly with high pressure dynamic

seals, retainers and bearings, all enclosed by an end cap incorporating inlet and outlet check valve assemblies.

NOTE: The seals on the connecting rods are also considered part of the gas sections. Each rod has a dual seal design with a small vent between to dissipate minor air drive leakage. The chambers on the inside of the gas barrels, behind the gas pistons, are piped to a tee with a filtered breather (on standard models). See Figures 1 & 2.

No lubrication of any kind is ever used on the dynamic seals of the gas pumping sections. They are designed to run dry, supported on the inherent low friction properties of the seal and bearing materials.

The life of the gas pumping section depends on the cleanliness of the gas supply. Therefore, micron filtration is suggested at the gas inlet port. If compressed air or other moisture containing gas is to be pumped, the initial dew point should be low enough to prevent saturation at booster output pressure, and if any carry over of oil from a compressed air source is evident, special coalescing type filtration may be necessary.

Over the life of the moving parts, some migration of inert particles into the gas output should be expected. Therefore, a small particle filter on the high pressure output line may be advisable for critical applications.

2.3.1 COMPRESSION RATIO - VOLUMETRIC EFFICIENCY (Not to be confused with "Area Ratio")

The compression ratio of any gas section is the ratio of output gas pressure to inlet gas pressure. (To calculate, use PSI absolute values.) The gas pumping sections are designed to have minimum unswept or clearance volume at the end of the compression stroke. On the return (suction) stroke of the piston, output pressure in the unswept volume re-expands. This reduces the amount of potential fresh gas intake on the suction stroke. Volumetric efficiency therefore decreases rapidly with an increase in compression ratio. The volumetric efficiency reaches zero when the unexpelled (re-expanded) gas completely fills the cylinder and equals the supply gas pressure at the end of the intake stroke. For example: A cylinder with a 4% unswept volume will reach zero efficiency at a compression ratio of approximately 25:1 because the inlet check valve will no longer open at any point during the suction stroke to admit fresh gas. Therefore, applications requiring high compression ratios are preferably handled by the 2 stage (BAGT) models or 2 or more 8AGD models piped in series.

Production models of Haskel gas boosters are tested in the laboratory. Results of these tests indicate that compression ratios of up to 40:1 are possible for some individual stages under ideal conditions. However, for satisfactory operation under production conditions in industrial applications, we recommend compression ratios (per stage) of about 10:1 or less. Operation at higher ratios per stage may not damage the gas booster, but because output flow and efficiency will be low, the use should be limited to pressurizing small volumes such as pressure gauge testing, etc.

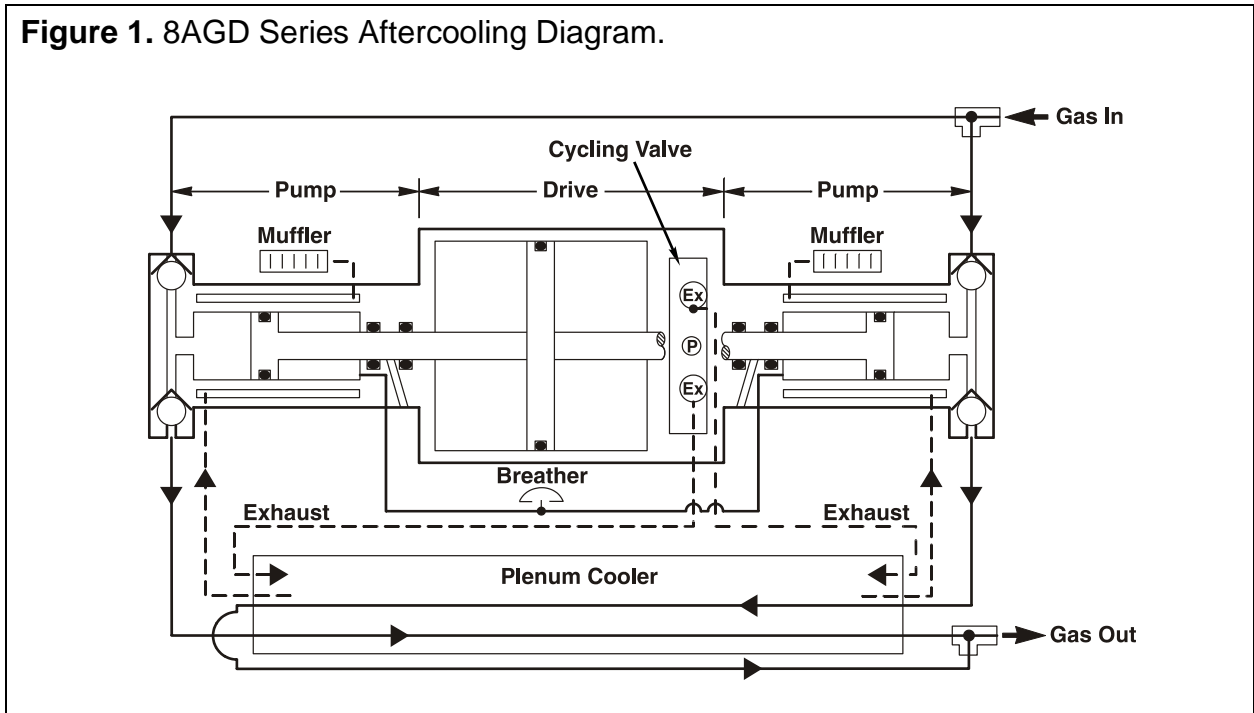
2.3.2 COOLING AND EXHAUST SYSTEM

In theory, compression ratios above 3:1 with most gases produce temperatures above the allowable limits for the seals. In practice, however, the heat of compression is transferred to the air cooled gas barrel and adjacent metal components during the relatively slow speed of the piston on the compression stroke and these components will stay within allowable temperature limits. Laboratory tests indicate that maximum temperatures occur between compression ratios of 5:1 and 10:1 and have shown that exhaust air cooling is adequate even when the booster is running at full speed. The allowable gas discharge temperature may run as high as 150°F above ambient temperature.

Effective cooling of the gas pumping section(s) is important as service life of piston seals, bearings, and static seals are dependent upon proper operating temperatures. Driving air expands during the exhaust stroke with a significant reduction in temperature. Therefore, this chilled exhaust air routed through the cooling barrels surrounding the gas barrels and shell of the plenum cooler surrounding the output and interstage gas lines is a very efficient cooling medium.

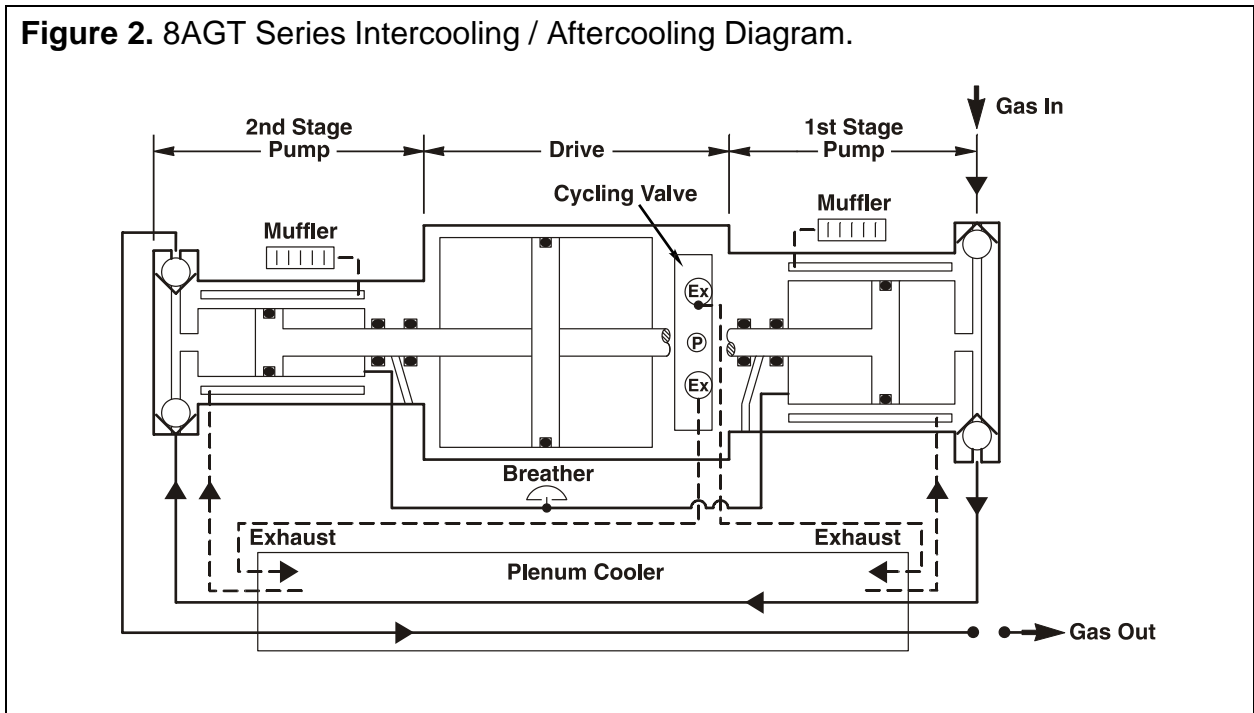
In both the 8AGD and 8AGT series boosters the cold air drive exhaust enters the plenum cooler and is then routed to each gas barrel cooling jacket. In the 8AGD series single stage, double acting models, the hot high pressure output gas from both of the gas section pumps is aftercooled by passing through the plenum cooler prior to final output. (Figure 1.)

Figure 1. 8AGD Series Aftercooling Diagram.



In the 8AGT series two stage boosters (Figure 2.), where higher maximum temperatures can result due to high compression ratios, the hot output gas line from the first stage pump is "intercooled" by passing through the plenum cooler prior to entering the second stage pump. The hotter, higher pressure output line from the second stage pump is then "aftercooled" by passing through the plenum cooler prior to the final output port.

Figure 2. 8AGT Series Intercooling / Aftercooling Diagram.



Under certain severe operating conditions, it may be necessary to slow down the cycling of the gas booster to prevent overheating. It is very difficult to predict exactly when overheating may occur. To test, install a thermocouple approximately one inch from the discharge port of the gas pumping section. Temperatures above 300°F at this point will shorten gas piston seal life considerably.

3. Installation

3.1 Mounting

All models will operate in any position required for system operation. However, for Oxygen Gas Boosting applications, mount all models horizontally with mounting brackets down.

3.2 Environment

All units are protected with plating or materials of construction for installation in normal indoor or outdoor applications. Special considerations may be advisable on some components if atmosphere is corrosive. If ambient temperatures will drop below freezing, dryers to prevent condensation of moisture in either the drive or gas section are advisable.

3.3 Drive System

Incoming air (or gas) piping and components must be large enough to provide sufficient flow for the cycle rate desired. Minimum size to provide the pumping rates shown in the current catalog is 3/4" I.D. Complex lines over a considerable distance should be 1" or larger.

The standard drive inlet is a 3/4" female pipe port located in the center of the cycling valve body. As standard, the pilot air (or gas) to the cycling system is provided through the bent tube assembly from the 1/4" NPT tap below the 3/4" NPT drive inlet port. For external remote pilot, the tube assembly is removed, the 1/4" NPT tap is plugged, and the pilot air from an alternate source connected to the 1/8" NPT port in the valve end cap. External pilot pressure should be equal to or exceed drive pressure. The air drive (and air pilot if external) inlet system should always include a filter since essentially all compressors introduce a considerable amount of contamination.

The drive requires approximately 25 psi to trigger the valve spool and pilot piston as lubricated at the factory. **It is not necessary or desirable to use an airline lubricator.**

3.3.1 MUFLERS

For minimum noise level, these may be remotely located. If beyond 6 feet, use 3/4" I.D. pipe, tube or hose.

3.3.2 PILOT VENT

The pilot system vents a small amount of pilot air (or gas) once per cycle from the 1/8" NPT tap in the flow fitting end cap. This vent should operate unobstructed. It may also be piped to a remote location if the pilot gas is hazardous. Vent purge modification with a 15 psi relief is available. Specify modification 56611 for single-ended models and 56611-2 for double-ended models.

3.4 Controls

For general usage the optional standard air controls accessory package includes a filter, an air pressure regulator with a gauge, and a manual valve for shutoff and speed control. Pumping rates shown in the current catalog are based on the use of a regulator with a flow capacity equivalent to 3/4" pipe size.

A number of other control options are available to suit specific applications. Among these are: Automatic start/stop of the drive - sensing gas output and/or gas inlet pressures; high pressure safety relief protection; cycle counting, cycle rate control, etc.

Consult current catalogs, authorized distributors or the factory.

3.5 Gas System

Refer to Figures 1 or 2 and to the detailed installation drawings enclosed covering the specific model. The installation drawing will provide inlet and outlet port detail and location. When tightening connecting piping, hold the port fitting securely with a backup wrench. Be certain that the connecting lines and fittings are of the proper design and safety factor for pressurized gas service.

NOTE: Also see paragraph 2.3 on gas system cleanliness.

4. Operation and Safety Considerations

NOTE: Before operation be sure the gas supply has been turned on to the booster inlet and allowed to flow through and equalize into the downstream system and/or receivers.

4.1 Starting the Drive

Turn on the drive air (or gas) gradually. The pump will automatically start to cycle with the application of approximately 25 psi to the inlet and air pilot.

NOTE: On initial start, or if unit has been idle for an extended period of time, the starting drive pressure may have to be somewhat higher.

Observe the buildup in output pressure with a conveniently located gauge rated for the maximum system pressure.

Maximum output pressure can be automatically controlled by a Haskel air pilot pressure switch or similar device backed up by a safety relief valve. (Refer to current catalogs for complete details.) In some applications, the unit may also be allowed to simply pump-up to its maximum pressure and stall - provided that ample strength allowance for outlet system piping and valves has been included.

Leaving the drive and liquid sections pressurized for extended periods is not detrimental to the unit but may be inadvisable for safety considerations depending on the installation.

5. Maintenance

5.1 General

WARNING: Use any cleaning solvent in a well ventilated area. Avoid excessive contact with skin. Keep away from extreme heat and open flame.

Disassemble equipment only to the extent required to repair or replace defective parts. Do not disturb unaffected component parts or plumbing connections.

NOTE: Detailed assembly drawings particular to your specific model have been included as a part of these maintenance instructions. Consider these maintenance instructions as general information while the assembly drawings reflect detail information, directly related to your particular drive/pump unit.

Certain assemblies, rarely requiring disassembly for servicing, have been assembled with Loctite CV (Blue) No. 242, as a locking compound. (Refer to NOTES column in assembly drawing.) If disassembly of these parts is essential, they should be carefully cleaned and then reassembled using Loctite CV. Use care to avoid getting compound into other joints or moving parts.

It is good maintenance practice to replace bearings, seals, o-rings and backup rings (refer to NOTES column on applicable assembly drawing for seal kit (s) available) whenever equipment is opened for part inspection and/or replacement.

Air Drive Section

Parts removed for inspection should be washed in an aqueous based industrial cleaner, free of V.O.C., such as Blue Gold or equivalent. Avoid use of Trichlorethylene, Perchloroethylene, etc. Such cleaners will damage seals and finish on air barrel and end caps.

Gas Pumping Section

Parts should preferably be washed in an aqueous based industrial cleaner, free of V.O.C., such as Blue Gold or equivalent.

Inspect moving parts for evidence of wear (scoring or scratches) due to foreign material. Inspect all threaded parts for crossed or damaged threads. Replace part if thread damage exceeds 50 percent of one thread, if less than 50 percent, chase threads with appropriate tap or die.

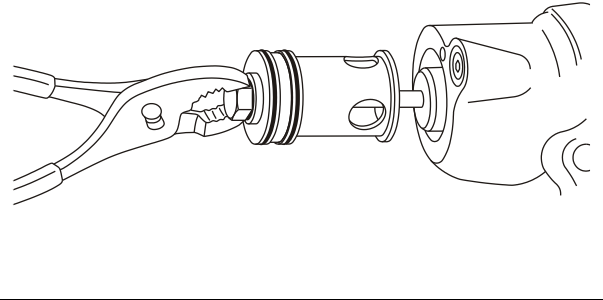
5.2 Cycling Valve Assembly

While continually referring to your detailed assembly drawing, disassemble cycling valve assembly in the following manner:

5.2.1 Note method of lockwiring screws. Remove and discard safety wire. Remove (4) screws and washer and lift off retaining plate.

5.2.2 Grasp hex plug and carefully pull pilot piston assembly with cap from valve body. (Ref. Fig. 3.)

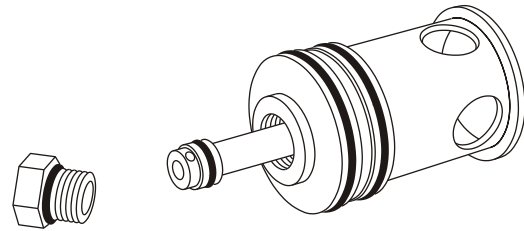
Figure 3. Cycling valve cap with pilot piston



Remove boss o-ring sealed hex plug. Push shaft out of the cap to reveal o-ring on end of shaft. (Ref. Fig. 4.)

Inspect all static and dynamic seals and replace any that are damaged, worn or swollen. (If any special tools are required, it will be noted on the detailed assembly drawing.)

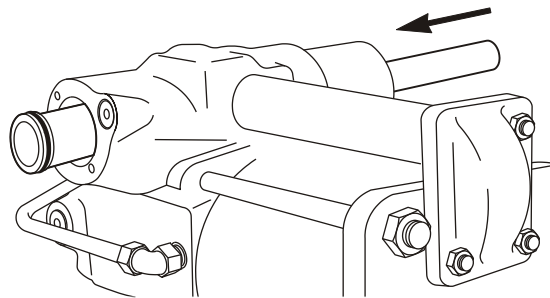
Figure 4. Pilot shaft end seal



5.2.3 Reach inside valve body. Remove first plastic bumper. Carefully pull out spool. Inspect (2) spool seals and replace any that are damaged, worn or swollen. If spool cannot be pulled out, remove cartridge from opposite end of casting and push spool out with a rod or screw driver. (Ref. Fig. 5.)

Use a flashlight to inspect second (inner) bumper at the end of the sleeve. If this bumper is in place put all parts back as follows.

Figure 5. Pushing from opposite end to remove valve spool



5.2.3.1 Reinstall hex plug with o-ring. Lubricate spool seals including pilot piston seal. (Ref. 2.2.1) Insert pilot piston into spool with bumper hanging loose on pilot piston shaft. (Ref. Fig. 6.)

Guide in all parts by first inserting small end of spool into interior of sleeve and seating bumper on end of sleeve. Secure parts with retainer plate, (4) washers and screws. Tighten screws to 30 inch pounds torque. Retest for proper operation. If successful, install new safety wire on cap screws.

5.2.4 If further disassembly is necessary, repeat prior steps (5.2.1 thru 5.2.3) and then carefully remove sleeve and second bumper.

NOTE: To remove sleeve, insert a blunt hook tool (such as tool p/n 28584, brass welding rod or equally soft metal) into a crosshole in the sleeve, and pull sleeve from the valve body. (Ref. Fig. 7.)

5.2.5 Inspect (4) o-rings on sleeve and discard any that are damaged, worn or swollen.

5.2.6 Discard second (inner) bumper if damaged or worn.

5.2.7 Apply Haskel 50866 Lubricant liberally to all o-rings.

5.2.8 Install inner bumper on bottom of bore in valve body. Lay sleeve end inner o-ring on inner bumper.

With two middle o-rings installed on sleeve, slide sleeve in against inner o-ring and bumper. Then to

“seat” fourth (outer) o-ring evenly into the groove on the end of sleeve, use bare cap/pilot piston assembly as a seating tool.

5.2.9 Repeat installation of remaining parts per paragraph 5.2.3.1

Figure 6. Cycling valve cap and parts ready for insertion into valve body

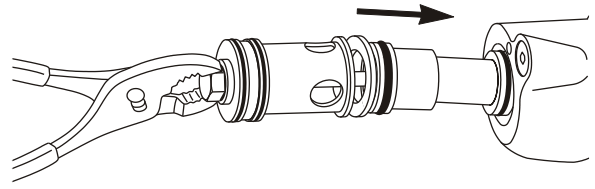
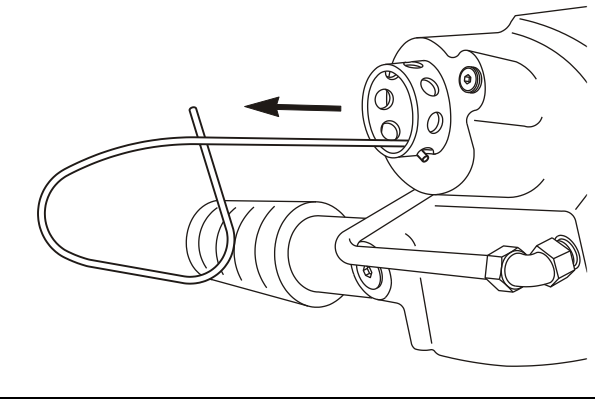


Figure 7. Pulling out sleeve with a hook on soft metal rod



5.3 Pilot Stem Valves

NOTE: Before repair, test according to paragraph 5.4.

Disassemble pilot valves in the following manner (while referring to your detailed assembly drawing):

NOTE: The following procedures reflect removal of the pilot valve from both the control valve end cap and flow fitting end cap of drive section. Use applicable paragraphs depending on which pilot valve is to be inspected and/or repaired.

5.3.1 Disconnect all plumbing lines necessary to allow separation of cycling valve assembly from position on end cap.

5.3.2 Using suitable wrench to hold long nut. Remove bolt, lock washer and flat washer located on topside of flow fitting.

5.3.3 Remove (2) capscrews, lock washers and flat washers located on underside of cycling valve assembly (or flow fitting). Using care to prevent damage or loss of small parts, lift cycling valve assembly (or flow fitting) from end cap. Remove spring, o-ring and pilot valve stem.

5.3.4 Remove flow tube and pilot tube. Inspect o-rings on ends of both tubes and replace any if damaged, worn or swollen. Relubricate with 50866 lubricant.

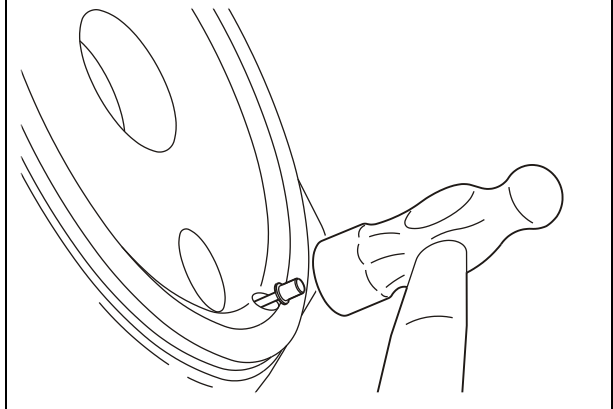
5.3.5 Inspect pilot valves for damage. Replace valve if stem is bent or scratched.

5.3.6 A molded seat valve is used under the flow fitting, while a replaceable o-ring seat valve (with orifice) is used under the cycling valve assembly. Inspect replaceable o-ring and replace if damaged, worn or

swollen. Inspect molded seat on opposite pilot valve. If damaged, replace pilot valve. The molded seat pilot valve under the flow fitting uses the shorter of the two springs.

NOTE: Unless excessive leakage occurs, it is not advisable to replace the inside seal on the stem of either pilot valve as this requires disassembly of the air drive cylinder. If replacement is required, care must be taken in installing the Tru-Arc retaining ring concentrically as shown in (Fig. 8.) Using the pilot stem valve with the molded seat as a seating and centering tool, put the retaining ring, retainer and seal on the stem so that the molded rubber face of the valve is against the retaining ring. Insert in seal cavity. Tap the top of the pilot valve lightly with a small hammer to evenly bend the legs of the retaining ring.

Figure 8. Centering and installing seal retaining ring using pilot step as tool



5.3.7 Apply Haskel 50866 Lubricant to pilot valve parts and reassemble in the reverse manner.

5.4 Pilot System Testing

If the air drive will not cycle, the following test procedure will determine which of the pilot valves is faulty:

5.4.1 Remove gauge port pipe plug (p/n 17568-2) located in the cycling valve body, next to the retaining plate.

5.4.2 Install pressure gauge (0 to 160 PSI or higher) in 1/8" NPT port.

5.4.3 Apply air pressure to the air drive inlet (and external pilot if so equipped). Gauge will read low pressure until pilot valve on cycling valve end is contacted by drive piston and it reverses direction, Then gauge will read full pilot air pressure until opposite pilot valve (on flow fitting end) is contacted-venting the pilot pressure. Correct pilot valve action therefore will cause gauge to "snap" immediately from low to high as drive reciprocates. A slow increase in gauge reading indicates leakage past replaceable O-ring on pilot valve located under the cycling valve assembly. A slow decrease in pressure indicates leakage past the molded seat on pilot valve located under the flow fitting. Check also for correct spring length (Ref. paragraph 5.3.6) and external air leaks at gauge plug, or ends of pilot tube.

5.5 Air Drive Section

Disassemble air drive cylinder section and piston in the following manner (while referring to your detailed assembly drawing):

5.5.1 Disconnect all plumbing lines to allow gas pump sections be moved left or right when drive section is separated.

5.5.2 Remove bolt, lock washer and flat washer (hold long nut to prevent unscrewing) located on top side of flow fitting.

5.5.3 Remove (8) nuts, lock washers and flat washers securing (4) air drive main tie bolts and carefully separate drive end caps (with intact gas pump sections) to gain access to drive piston and cross pins securing rod to drive piston assembly.

5.5.4 Remove (1) E-ring, push out (1) cross pin and disconnect (1) piston rod from piston assembly so that air barrel and drive piston o-ring can be removed for inspection.

5.5.5 Inspect barrel to end cap static seal o-rings. Pull barrel off drive piston and inspect large drive piston seal.

NOTE: If the large o-ring is "tight" in the groove, it is probably swollen and should be replaced.

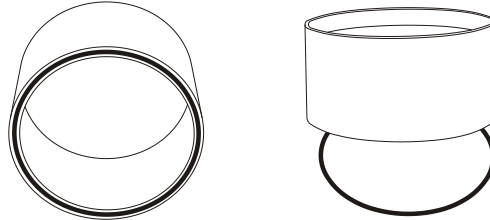
Replace if damaged or worn. Also, check large drive piston o-ring for shrinkage by laying it on a flat surface. Then place a clean unlubricated air barrel over it. The o-ring outside diameter must be large enough so that it can be picked up with the barrel. If not, discard and replace. (Ref. Fig. 9.)

5.5.6 Clean all parts and inspect for grooved, scratched or scored wear surfaces.

5.5.7 Apply Haskel 50866 Lubricant to all o-rings and inner surface of barrel and reassemble drive section parts, end caps with pump sections, gas and associated plumbing lines in reverse order of disassembly instructions.

5.5.8 Alternately (crosswise) torque tie rod nuts to 250 to 300 in-lbs.

Figure 9. Checking drive piston o-ring for shrinkage



5.6 Gas Check Valves

NOTE: The most obvious symptom indicating check valve repair is needed is that the gas end cap does not heat up during operation. This means that little or no compression is occurring. (See also Paragraph 6. COMPRESSION TEST).

The parts makeup of the 8AGD series inlet and outlet check valves are the SAME for both gas piston end caps; whereas the 8AGT series inlet and outlet check valves may be DIFFERENT for opposite gas piston end caps. While the parts may be Identical for a particular series pump, it is important to note the variations of position that relate to the location of these parts relative to the assembly of the interconnecting gas piping and to refer to your detailed assembly drawing during repair.

5.6.1 Disconnect all plumbing lines necessary to allow access to the check valves.

5.6.2 Using suitable wrench, unscrew port fitting from end cap. Inspect O-ring on fitting and replace if damaged, worn or swollen.

5.6.3 Remove remainder of parts inside check valve and inspect for damage or wear. Seats and O-rings are most likely parts requiring replacement and are coded on the assembly drawing for kit replacement.

5.6.4 Clean all parts (Ref. paragraph 5.1) and inspect for nicks, grooves and deformation and renew any that are damaged.

5.6.5 DO NOT apply lubricant to any of these parts.

NOTE: To properly center the parts during reassembly, we recommend that the ports be in a vertical position. This may require the removal of the end cap in some instances.

5.6.6 Reassemble check valve parts in order shown on assembly drawing detail. Refer to assembly drawing for special notes including torque required for tie rod nuts.

5.7 Gas Pistons

NOTE: Minute leakage of inlet gas past a high dynamic pressure gas piston seal is normal and can usually be felt at the cross connected 21703-2 breather cap port with finger pressure (drive not cycling). Audible leakage however indicates excessive gas piston seal wear. Disassemble gas pistons while referring to your detailed assembly drawing in the following manner:

5.7.1 Disconnect all plumbing lines necessary to allow removal of gas section end caps.

5.7.2 Remove (4) nuts and lock washers from gas pump section tie rods.

NOTE: At this point, it is recommended that the entire gas section be pulled off as a unit from the drive section by releasing the piston rod from the drive piston per Paragraphs 5.5.3 and 5.5.4. Then clamp the gas end cap (or retaining plate) in a vise and proceed with further disassembly and reassembly.

5.7.3 Remove end cap and/or retaining plate. Inspect O-ring and back up ring mounted inside end cap and replace if damaged, worn or swollen.

5.7.4 Remove cooling sleeve (with attached muffler), high pressure gas barrel and static seal O-rings. Inspect O-rings and replace if damaged, worn or swollen.

5.7.5 The remainder of disassembly depends upon the parts make up shown on your particular assembly drawing. The extent of disassembly should be determined by the initial reasons for disassembly; that is end cap seal leakage, gas piston seal leakage, or air drive rod seal leakage. O-rings, seals and backup rings are the most likely parts requiring replacement and are coded for kit replacement.

5.7.6 Clean all parts (Ref. Paragraph 5.1) and inspect for nicked, grooved, scratched or scored wear surfaces and believeville spring deformation.

5.7.7 Replace all parts that are damaged. Inspect high pressure gas barrel bore with a strong light. It must be "mirror smooth". However, if only slightly scratched it may be salvaged with a light hone.

NOTE: DO NOT apply a lubricant of any kind to bearings, seals, O-rings, backup rings or inner surface of gas barrel.

5.7.8 Reassemble gas piston parts in reverse order of disassembly. Final tightening and cotter pinning of gas piston nut must be done with parts inside gas barrel. Refer to assembly instructions on assembly drawing for final details.

5.7.9 Alternately (crosswise) torque tie rods nuts to maximum torque value per assembly drawing notes.

6. Compression Test – Gas Section and Check Valves

6.1 Purpose

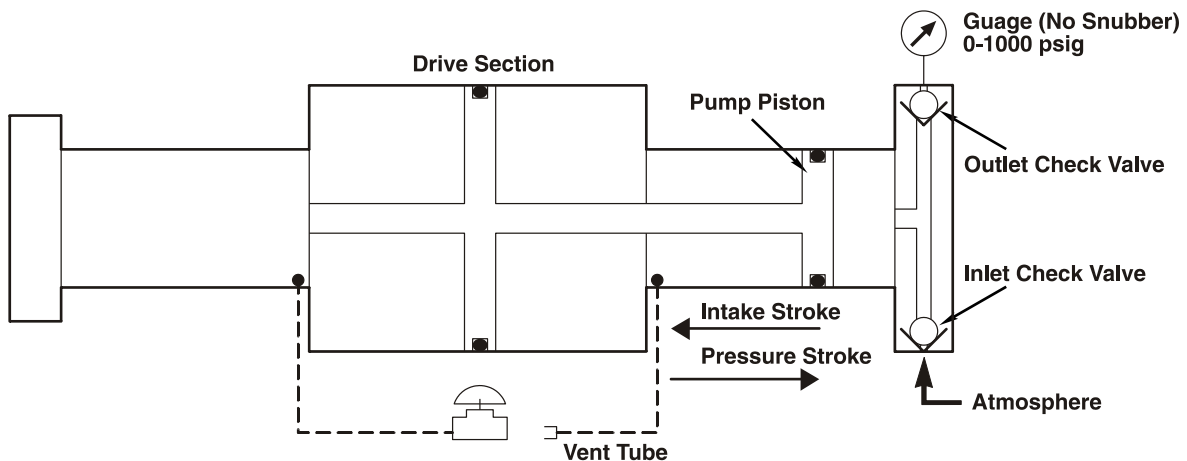
Quick evaluation of the integrity of any individual pump section (before or after repair).

6.2 Theory - Drive Section

Each gas booster pump end consists of a sealed piston reciprocating in a smooth bore gas barrel; inhaling gas on the backstroke through the inlet check; expelling most of this gas on the forward stroke through the outlet check.

Therefore: THE CONDITION OF ALL THESE PARTS CAN BE MEASURED BY COMPRESSING AIR DIRECTLY FROM ATMOSPHERE INTO A 1000 PSIG GAUGE ON ANY PUMP SECTION OF ANY MODEL.

6.3 Schematic



6.4 Test:

Install gauge. Cycle drive at moderate speed until pressure stops rising. Record maximum pressure.

6.5 Analysis:

6.5.1 If the following pressures are achieved, the gas section condition should be considered satisfactory:

Model Number	Pressure PSIG Minimum from Atmospheric Inlet
8AGD -5	225
8AGD -14	225
8AGD -30	250
8AGD -60	315

If maximum pressure is less than the minimum, excessive leakage is occurring at the piston seal; and/or the inlet check; and/or the outlet check.

6.5.2

Symptom Observing Gauge Pointer	Repair
A. Fast fall back from maximum.	A. Outlet Check
B. Sluggish rise during pressure stroke.	B. Inlet Check and/or Piston Seal/Gas Barrel

If symptom B: DISCONNECT DRIVE AIR SO UNIT CANNOT CYCLE.* Apply 80 to 500 PSI clean and dry air or gas to gas inlet port.

- If leakage out vent tube is audible, piston seal is defective and/or gas barrel is scored.
- If leakage out vent is barely detectable, inlet check is the problem. Disassemble and repair.

* CAUTION - NEVER CYCLE UNIT WITH PRESSURE APPLIED TO GAS INLET PORT WHEN GAUGE IS IN OUTLET PORT. GAUGE WILL BE OVERPRESSURED.

7. Troubleshooting Guide

7.1 Symptom	7.2 Possible Cause	7.3 Remedy
<p>Drive will not start nor cycle with at least 25 psi drive pressure.</p>	<p>Air supply blocked or inadequate. Cycling valve spool binding.</p> <p>Either pilot valve stem too short. Exhaust or vent "iced up".</p> <p>Mufflers plugged.</p>	<p>Check air supply and regulator. Clean spool by following cycling valve disassembly instructions. (Ref. paragraph 5.2)</p> <p>Replace defective pilot valve.</p> <p>Too much moisture in drive air. Install better moisture reduction system.</p> <p>Remove, disassemble and clean mufflers.</p>
<p>Drive will not cycle under load and pilot vent leaks air continuously.</p>	<p>Broken pilot charge valve spring (cycling valve end) causing it to stick open. Then the pilot vent valve cannot "dump" enough pilot pressure so it remains held open by the drive piston.</p> <p>Defective o-ring on pilot charge valve (cycling valve end) causing high leakage into the pilot system.</p>	<p>Replace spring.</p> <p>Replace o-ring.</p>
<p>Drive will not cycle. Mufflers leak drive air with very audible "hiss".</p>	<p>Insufficient drive air volume causing cycling spool to hang up in midstroke or drive-piston o-ring to bypass air.</p> <p>Shrinkage or damage to spool seals and/or large drive piston seal.</p>	<p>Increase drive air line size.</p> <p>Inspect spool seals first. (paragraph 5.2) If damaged, replace and retest. If not damaged, disassemble drive and check large o-ring size per Figure 9 and paragraph 5.5.5.</p>
<p>Drive cycles but gas section(s) does not pump. (End cap does not heat up)</p>	<p>Check valve(s) not seating, and/or leakage of plunger or piston seal (paragraphs 5.6, 5.7).</p>	<p>See compression check procedure and analysis (paragraph 6).</p>

1. Introducción

La información que contienen estas Instrucciones de Funcionamiento y Mantenimiento corresponde a los Compresores Elevadores de Presión de Gas con Accionamiento Neumático de la Serie 8AG. Las designaciones básicas actuales de los modelos son: 8AGD-5, -14, -30, -60 y 8AGT-5/14, -5/30, -14/30, -14/60 y -30/60. En esta información se facilitan asimismo las modificaciones especiales de las unidades estándar, tales como las que incluyen juntas especiales o materiales distintos para gases de accionamiento, gas bombeado o entornos poco corrientes; o aquellas con conexiones de tobera fuera de serie, accesorios instalados, etc., para fines especiales. Aunque estas modificaciones no se recogen en detalle en estas instrucciones, se describirán detalladamente en la lista de piezas/plano de montaje modificados y en los planos de instalación adjuntos al envío de cada unidad.

Estos elevadores de presión son compresores de gas sin lubricación, tipo alternativo de pistón, con accionamiento neumático y de alta capacidad, disponibles en configuraciones monoetapa, doble efecto (modelo 8AGD) y doble etapa (modelo 8AGT). El número después del guión representa la relación de áreas aproximada del pistón de aire al de gas. De esta manera, el modelo 8AGD-5 tiene un área de trabajo en el accionamiento neumático 5 veces el área del pistón de gas; un 8AGT-5/14 tiene un área en el accionamiento alrededor de 5 veces el área del pistón de la primera etapa y alrededor de 14 veces el área correspondiente a la segunda etapa.

2. Descripción

2.1 Principio General de Funcionamiento

El pistón del accionamiento neumático, situado en el centro de la unidad, se desplaza automáticamente de forma alternativa, movido gracias a la válvula de aire de 4 vías, no balanceada y sin retén. La corredera de esta válvula se desliza según una secuencia alternativa de presurización y ventilación por la acción del aire de pilotaje sobre uno de sus extremos. Dicho accionamiento por aire está directamente conectado con los dos pistones de la sección de compresión de gas, que se encuentran uno frente a otro en cada extremo de la máquina. Estos pistones están diseñados para funcionar en seco, sin lubricación, y para elevar la presión del gas de entrada hasta la presión de salida deseada y, además, sin contaminación por hidrocarburos. El escape del accionamiento neumático (enfriado durante la expansión en la que lleva a cabo su trabajo) se utiliza para refrigerar los cilindros de gas (mediante camisas), así como la salida de alta presión y las líneas de gas entre etapas (mediante una cámara de refrigeración).

2.2 Sistema de accionamiento neumático

Consulte los planos de montaje detallados de la válvula de aire y el sistema de accionamiento que se proporcionan con cada unidad. El sistema de accionamiento consta de un conjunto de pistón de accionamiento, un conjunto de válvula de aire con corredera de 4 vías, no balanceada, y dos válvulas piloto. En cuanto a las toberas, el sistema está equipado con una tobera de entrada de aire de accionamiento, dos toberas grandes de escape, además de una entrada de aire de pilotaje, una ventilación de aire de pilotaje y una tobera para manómetro (con tapón) para el sistema de pilotaje. Todas las toberas son NPT.

Una de las válvulas piloto está situada en la tapa terminal de la válvula de control de aire y la otra en la tapa terminal del accesorio de caudal. Un tubo de caudal conecta el aire de accionamiento de la tapa terminal de la válvula con la tapa opuesta, y un tubo piloto conecta las dos válvulas piloto, que están montadas en serie. La corredera de la válvula de aire funciona sin muelles ni retenes y se desplaza gracias a la acción de las válvulas piloto, que alternativamente presurizan o ventilan la amplia zona delimitada por el pistón de la válvula piloto que se encuentra en el extremo de la válvula de corredera. La tobera de escape del sistema de pilotaje se encuentra en el accesorio de caudal de la tapa terminal.

2.2.1 LUBRICACIÓN

Durante el montaje se aplica grasa de silicona ligera (n.º ref. Haskel 28442) a todas las piezas móviles y juntas (sólo en el sistema de accionamiento, no en el de gas). Se recomienda realizar otras aplicaciones ocasionales en las juntas de la corredera, que son fácilmente accesibles, y siempre dependiendo del régimen de trabajo. Consulte la sección 5.2.3.1. Se encuentra disponible con coste adicional la modificación n.º ref. 54312 para servicios muy exigentes, que permite funcionar en servicio continuo sin aplicar lubricación.

Si no viene ya instalado de fábrica, monte siempre en la línea de suministro de aire un filtro de aire/separador de agua convencional de tipo cartucho, del mismo tamaño o más grande que la tubería de suministro, y drénelo y hágale mantenimiento con regularidad. **No utilice lubricación en línea de ninguna clase.**

2.3 Sistema de Compresión de Gas.

Consulte el plano de montaje detallado del sistema de compresión de gas que se suministra conjuntamente con cada unidad. Cada sistema de compresión consta de un cilindro de gas con camisa de refrigeración, un conjunto de pistón con sellos dinámicos para alta presión, retenedores y cojinetes, todo ello cerrado mediante una tapa terminal en la que van incluidas las válvulas de retención de entrada y salida.

NOTA: Las juntas de las varillas de unión también se consideran parte del sistema de gas. Cada varilla va equipada con una junta doble con una pequeña ventilación intermedia para aliviar pequeñas fugas de **aire de accionamiento**. Las cámaras interiores de los cilindros de gas (detrás del pistón) están conectadas a una te con un respiradero con filtro (en los modelos estándar). Consulte las Figuras 1 y 2.

No se utiliza nunca ningún tipo de lubricación en el sistema de compresión de gas. Todo él está diseñado para funcionar en seco, gracias a las propiedades de bajo rozamiento inherente de los materiales de juntas y cojinetes.

La vida útil del sistema de compresión de gas depende de la limpieza del gas suministrado. Por lo tanto, se recomienda instalar filtración micrométrica en la tobera de entrada de gas. Si se va a comprimir aire o cualquier otro gas que contenga humedad, el punto de rocío inicial deberá ser lo suficientemente bajo como para evitar alcanzar la saturación a la presión de descarga de la máquina. Si se evidencia cualquier arrastre de aceite desde una fuente de aire comprimido, será necesario instalar algún tipo de filtro aglutinador especial.

En lo que respecta a la vida útil de las piezas móviles, se puede esperar la aparición de partículas inertes en la salida de gas. Por lo tanto, se recomienda la instalación de un pequeño filtro de partículas en la línea de salida de alta presión en el caso de aplicaciones críticas.

2.3.1 RELACIÓN DE COMPRESIÓN. EFICACIA VOLUMÉTRICA (no confundir con "relación de áreas")

La relación de compresión es el cociente de la presión de salida entre la presión de suministro de gas (para calcularlo utilídense valores absolutos de presión). La sección de compresión de gas está diseñada para tener el menor volumen muerto en la cámara de compresión al final de la carrera del pistón. Durante el desplazamiento de retorno (admisión), este gas residual se expande desde la presión de descarga hasta la de admisión. Este hecho reduce la cantidad de gas fresco que puede entrar durante la carrera de admisión. Por ello la eficacia volumétrica disminuye rápidamente al aumentar la relación de compresión, hasta que alcanza el valor cero cuando el gas no expulsado (expandido) llena completamente el cilindro al final de la carrera de admisión. Un cilindro con un volumen muerto del 4% alcanzará la eficacia cero a una relación de compresión de aproximadamente 25:1. Por lo tanto, en aplicaciones que requieran una elevada relación de compresión se recomienda instalar modelos de 2 etapas (8AGT) o 2 ó más máquinas 8 AGD en serie

Los modelos comerciales de elevadores de presión de gas Haskel han sido probados en laboratorio. Los resultados de dichas pruebas indican que se pueden alcanzar relaciones de compresión de hasta 40:1 en algunos modelos bajo condiciones ideales. Sin embargo, para un funcionamiento satisfactorio en condiciones de producción en aplicaciones industriales, recomendamos relaciones de compresión (por etapa) de 10:1 o menos. El funcionamiento a relaciones más elevadas puede que no dañe la máquina, pero dado que el caudal de descarga y la eficacia son tan bajos, su utilización se debería limitar a la compresión de volúmenes reducidos, tales como los necesarios para pruebas de manómetro, etc.

2.3.2 SISTEMA DE REFRIGERACIÓN Y ESCAPE

En teoría, las relaciones de compresión por encima de 3:1 producen en la mayoría de los gases temperaturas por encima de los límites recomendables para los sellos. En la práctica, sin embargo, el calor de compresión se transfiere al cilindro refrigerado por aire y a los componentes de metal adyacentes durante la carrera de compresión del pistón, a relativa baja velocidad, y dichos elementos se mantienen dentro de un margen permisible de temperatura. Las pruebas de laboratorio indican que las temperaturas máximas aparecen entre las relaciones de compresión 5:1 y 10:1 y se ha probado que la

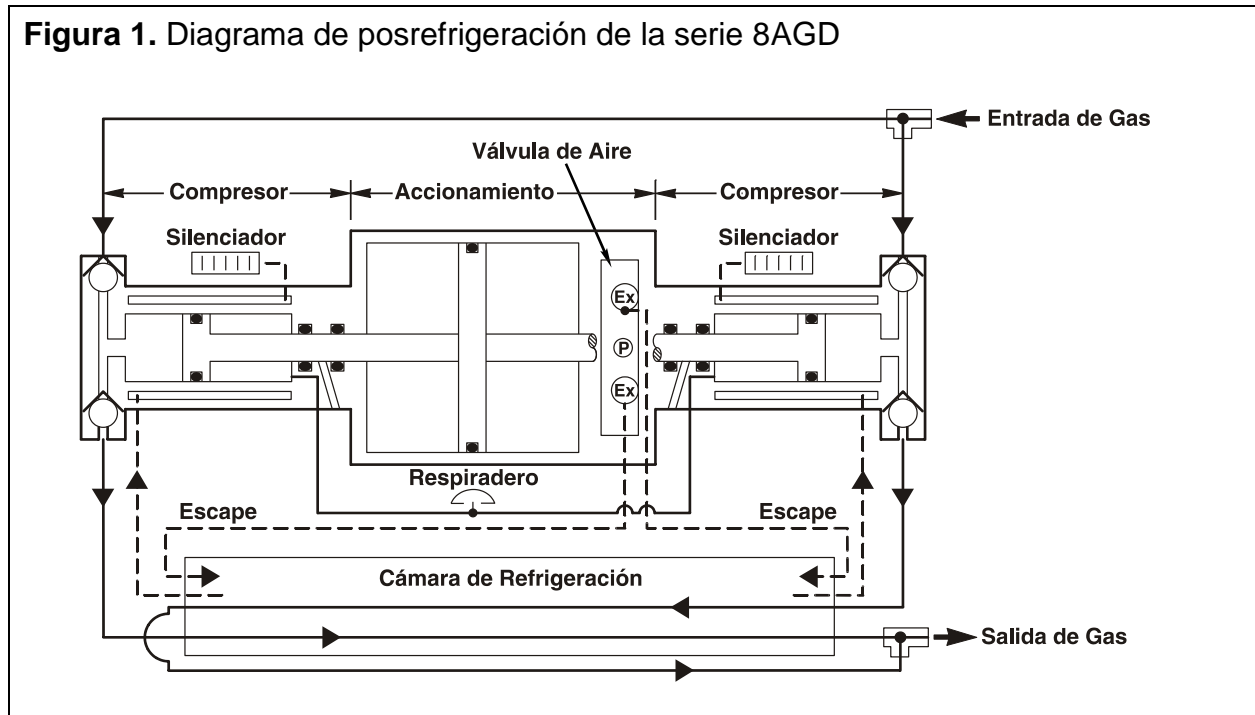
refrigeración mediante el aire de escape es adecuada incluso cuando el elevador está funcionando a plena velocidad. La temperatura de descarga del gas puede llegar a estar aproximadamente 150 °F por encima de la temperatura ambiente.

Bajo ciertas condiciones muy exigentes de funcionamiento, puede ser necesario reducir la frecuencia de pulsación del elevador para evitar un sobrecalentamiento, aunque es difícil predecir con exactitud cuándo puede ocurrir. Para hacer la prueba, instale un termopar a aproximadamente 1 pulgada de la tobera de descarga del circuito de compresión de gas. Si la temperatura en este punto es superior a 300 °F, se puede ver considerablemente reducida la vida útil de los sellos del pistón.

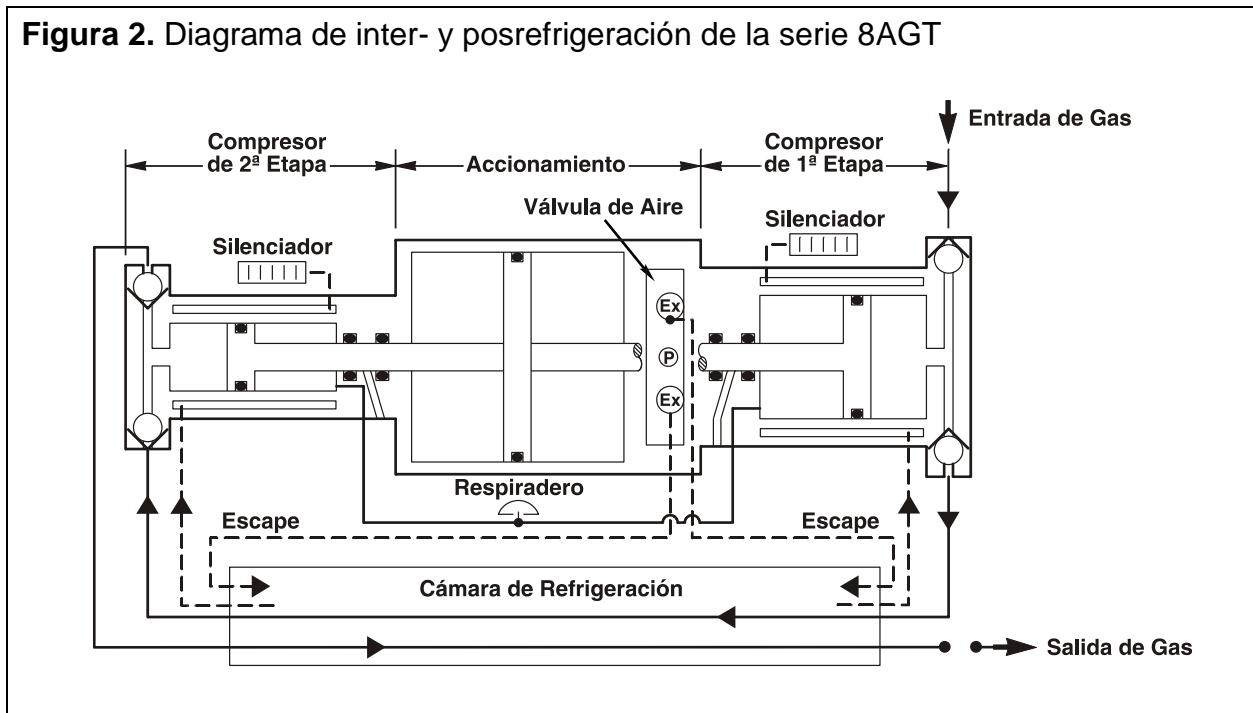
Una refrigeración eficaz del circuito de compresión de gas es de vital importancia dado que la duración en servicio de sellos del pistón, cojinetes y juntas estáticas depende de que se funcione a temperaturas adecuadas. El aire de accionamiento se expande durante el ciclo de funcionamiento, con la consiguiente reducción significativa de temperatura. Por esta razón este aire de escape muy frío, que se dirige a través de las camisas de refrigeración de los cilindros de gas y por la carcasa de la cámara de refrigeración que rodea las líneas de salida y línea entre etapas, constituye un refrigerante muy eficaz.

Tanto en los elevadores 8 AGD como en los 8AGT, la salida de aire de accionamiento frío entra en la cámara de refrigeración y a continuación se dirige hacia la correspondiente camisa de refrigeración de cada cilindro de gas. En los modelos monoetapa y de doble efecto de la serie 8AGD, el gas caliente de la salida a alta presión de ambos sistemas de compresión de gas se refrigera haciéndolo pasar por la cámara de refrigeración, antes de su descarga final (**Figura 1**).

Figura 1. Diagrama de posrefrigeración de la serie 8AGD



En los modelos de doble etapa de la serie 8AGT (**Figura 2**), en los cuales se pueden alcanzar temperaturas más altas debido a la más elevada relación de compresión, la línea de salida de gas caliente de la primera etapa de compresión se "interenfria", haciéndola pasar por la cámara de refrigeración antes de entrar en la segunda etapa de compresión. Asimismo la línea de salida de alta presión de la segunda etapa, más caliente aún, se hace pasar a través de la cámara de refrigeración antes de dirigirse a la salida final.

Figura 2. Diagrama de inter- y posrefrigeración de la serie 8AGT

Bajo ciertas condiciones de funcionamiento muy exigentes, puede ser necesario reducir la frecuencia de pulsación del elevador para evitar un sobrecalentamiento, aunque es difícil predecir con exactitud cuándo puede ocurrir. Para hacer la prueba, instale un termopar a aproximadamente 1 pulgada de la tobera de descarga del circuito de compresión de gas. Si la temperatura en este punto es superior a 300 °F, se puede ver considerablemente reducida la vida útil de los sellos del pistón.

3. Instalación

3.1 Montaje

Todos los modelos pueden funcionar en cualquier posición requerida por el sistema. Sin embargo, en el caso de aplicaciones de elevación de presión de oxígeno, monte todos los modelos horizontalmente con los soportes de montaje hacia abajo.

3.2 Entorno

Todas las unidades vienen protegidas con un baño metálico de protección o con materiales de construcción aptos para aplicaciones normales, tanto en interior como en exterior. Se debe tener especial precaución con algunos componentes si el ambiente es corrosivo. Si se prevén temperaturas ambiente por debajo de cero, se recomienda la instalación de secadores tanto en el sistema neumático como en el de compresión de gas, con objeto de evitar condensación por humedad.

3.3 Sistema de Accionamiento

Toda la tubería y accesorios de entrada deben ser suficientemente amplios como para permitir el paso de un caudal adecuado al ritmo de pulsación deseado. El tamaño de tubería mínimo recomendado para los caudales de este catálogo es de 3/4" DE. Si la línea de entrada es tortuosa y con una longitud considerable, el tamaño deberá ser 1" o mayor.

La tobera de entrada del aire de accionamiento es estándar 3/4" hembra, ubicada en el centro del cuerpo de la válvula de aire. De forma estándar, el aire de pilotaje se suministra al sistema mediante un conjunto de tubería doblada desde una toma de 1/4" NPT, situada debajo de la tobera de aire de accionamiento de 3/4" NPT. Si el pilotaje se va a realizar mediante una fuente externa remota, dicha toma de 1/4" NPT se taponará, se retirará el conjunto de conexión y se conectará la fuente externa a una tobera de 1/8" NPT ubicada en la tapa terminal de la válvula. La presión externa de pilotaje deberá ser igual o superior a la presión de accionamiento.

El sistema de suministro de aire de accionamiento (y el de aire de pilotaje, si es externo) debe incluir siempre un filtro, dado que todos los compresores de aire absorben normalmente una considerable cantidad de contaminación.

El accionamiento neumático requiere aproximadamente 15 psi para disparar la corredera de la válvula de aire y el pistón del aire de pilotaje, tal como vienen engrasados de fábrica. No es necesario ni deseable utilizar lubricación en línea de aire.

3.3.1 SILENCIADORES

Para mantener el nivel de ruido al mínimo se pueden ubicar los silenciadores lejos de la instalación. Si están a una distancia superior a 6 pies, utilice tubería, tubo o manguera de ¾" DE.

3.3.2 VENTILACIÓN DEL SISTEMA DE PILOTAJE

El sistema de pilotaje descarga una pequeña cantidad de aire de pilotaje una vez por ciclo a través de la toma de 1/8" NPT de la tapa terminal del accesorio de caudal. Esta ventilación no debe estar nunca obstruida.

3.4 Controles

Para uso general, el paquete estándar de accesorios para control de aire incluye un filtro, un regulador de presión de aire con manómetro y una válvula manual de corte y control de velocidad. Las frecuencias de compresión que se muestran en este catálogo se basan en la utilización de un regulador con una capacidad de caudal equivalente a la de un tamaño de tubería de 3/4".

Se dispone de otras opciones de control para adaptarse a aplicaciones específicas. Entre ellas se encuentran: arranque/parada automáticos del accionamiento (mediante detección de las presiones de gas de entrada y salida); control ajustable de contrapresión, protección contra sobrepresión con válvulas de alivio, regulación del accionamiento de una fuente de gas de alta presión, conteo de ciclos, etc.

Consulte los catálogos actuales, con distribuidores autorizados o con fábrica.

3.5 Sistema de Gas

Consulte las **Figuras 1 y 2** y los planos de instalación detallados del modelo específico que se suministran con el mismo. El plano de instalación muestra la ubicación y detalle de las toberas de entrada y salida. Cuando apriete la tubería de conexión, sujete fuertemente la tobera con una llave de contrafuerza. **Asegúrese de que las líneas y accesorios de conexión tienen el diseño y factor de seguridad adecuados para el servicio de gas a presión en cuestión.**

NOTA: Consulte también el **apartado 2.3** sobre limpieza del sistema de gas.

4. Consideraciones de Funcionamiento y Seguridad

Nota: antes de arrancar asegúrese de que se ha abierto el suministro de gas del elevador, se ha dejado circular a través de la máquina y se ha igualado la presión con el sistema o recipientes que se encuentran aguas abajo.

4.1 Arranque del Accionamiento

Abra gradualmente el aire de accionamiento. El elevador comenzará a pulsar automáticamente mediante la aplicación de aproximadamente 15 psi a la entrada y al sistema piloto.

NOTA: En el primer arranque o si la unidad ha estado parada durante un largo periodo de tiempo, puede que la presión de arranque necesite ser un poco mayor.

Observe el aumento de presión de salida mediante un manómetro colocado a tal efecto y que soporte la presión máxima del sistema.

La presión máxima de salida normalmente se debería controlar automáticamente mediante un presostato pilotado o un dispositivo similar, respaldado por una válvula de alivio (consulte los catálogos actuales para una información más completa). En algunas aplicaciones es habitual permitir que la unidad bombee sola hasta su presión máxima y se detenga, manteniendo el equilibrio, siempre y cuando el sistema de tubería y válvulas de la descarga se hayan diseñado con un amplio margen de resistencia.

No es perjudicial para la unidad dejar presurizados los sistemas de accionamiento y compresión durante periodos prolongados, pero puede no ser aconsejable desde el punto de vista de la seguridad, dependiendo de la instalación.

5. Mantenimiento

5.1 General

ADVERTENCIA: utilice cualquier disolvente para limpieza en una zona bien ventilada. Evite respirar humos desprendidos y el contacto excesivo con la piel. Manténgase lejos de fuentes de calor excesivo y llamas.

Desmante el equipo sólo en la extensión requerida para reparar o sustituir piezas defectuosas. No toque piezas que no estén estropeadas o conexiones de tubería.

NOTA: Se han incluido planos de montaje detallados específicos para su modelo como parte de estas instrucciones de mantenimiento. Considere estas instrucciones de mantenimiento como información general, mientras que los planos de montaje incluyen información detallada y directamente relacionada con su compresor de gas particular.

Algunas partes de la máquina, que raramente necesitan ser desmontadas para mantenimiento, han sido pegadas con Loctite CV (azul) n.º 242 (consulte la columna de NOTAS del plano de montaje). Si es inevitable el desmontaje de dichas piezas, después deberán limpiarse cuidadosamente y se volverán a pegar de nuevo con Loctite CV. Tenga cuidado de que este compuesto no llegue a otras juntas o piezas móviles.

Es una buena costumbre de mantenimiento sustituir cojinetes, juntas tóricas y anillos de apoyo (consulte los juegos de juntas disponibles en el plano de montaje correspondiente, en la columna NOTAS) cada vez que el equipo se abra para inspección o sustitución de piezas.

Sistema Neumático

Las piezas que se retiren para inspección deben lavarse con disolvente Stoddard, gasolina sin plomo o equivalente. Evite el empleo de tricloroetileno, percloroetileno, etc., ya que dichos limpiadores deteriorarían las juntas y el acabado del cilindro de aire y las tapas.

Sistema de Compresión de Gas

Las piezas se deben lavar preferentemente con triclorotrifluoroetano (agente limpiador de precisión con base de Freón).

Inspeccione las piezas móviles en busca de signos de desgaste (muescas o arañazos) debidos a cuerpos extraños. Inspeccione todas las piezas roscadas por si tuvieran las roscas deterioradas. Sustituya cualquier pieza que tenga dañado más del 50% de la rosca. Si el deterioro afecta a menos del 50%, peine la rosca con una terraja o macho adecuados.

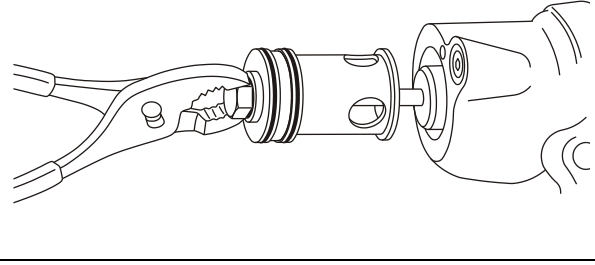
5.2 Conjunto de la Válvula de Aire

Desmante el conjunto de la válvula de aire, mientras consulta continuamente el plano de montaje detallado correspondiente, de la siguiente manera:

5.2.1 Fíjese en cómo están sujetos con alambre los pernos. Retire el alambre de seguridad y tírelo. Extraiga los cuatro pernos con sus arandelas y levante la placa retenedora.

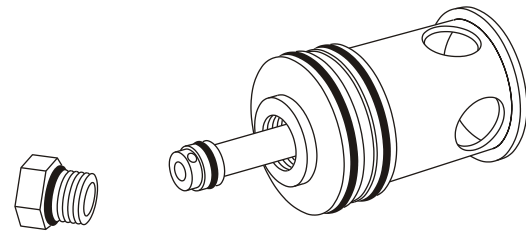
5.2.2 Agarre el tapón hexagonal y saque con cuidado el conjunto del pistón piloto y el tapón, del cuerpo de la válvula (**vea Figura 3**).

Figura 3. Tapa de la válvula de aire con pistón piloto.



Retire el tapón hexagonal con junta tórica. Extraiga el eje de la tapa hasta que se vea la junta tórica que tiene en el extremo (**vea Figura 4**).

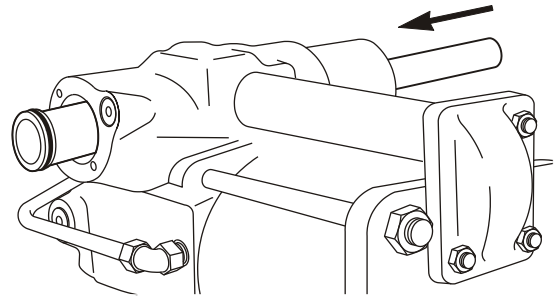
Figura 4. Junta del extremo del eje del pistón.



Inspeccione todas las juntas, tanto estáticas como dinámicas, y sustituya aquéllas que estén deterioradas, gastadas o deformadas (si se necesitan herramientas especiales, estará advertido en el plano de montaje).

5.2.3 Ahora se puede acceder al cuerpo de la válvula. Retire el primer tope de plástico. Extraiga la corredera con cuidado. Inspeccione las dos juntas de la corredera y sustitúyalas si están deterioradas, gastadas o deformadas. Si la corredera no sale, retire el cartucho del extremo opuesto del cuerpo y empuje la corredera con una varilla o destornillador (**vea Figura 5**).

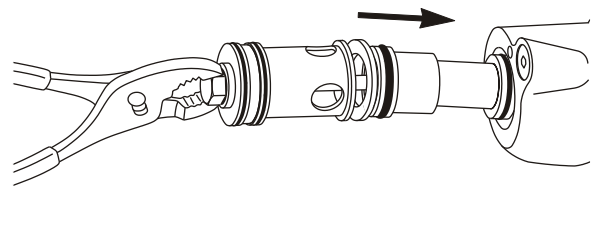
Figura 5. Empuje desde el extremo opuesto para sacar la corredera de la válvula.



Utilice una linterna para examinar el segundo tope (interno) del extremo de la camisa. Si el tope está en su sitio, coloque de nuevo todas las piezas de la siguiente manera.

5.2.3.1 Vuelva a instalar el tapón hexagonal con la junta tórica. Lubrique las juntas de la corredera, incluidas las del pistón piloto (**vea apartado 2.2.1**). Introduzca el pistón piloto en la corredera con el tope colgando en el eje del pistón piloto (**vea Figura 6**).

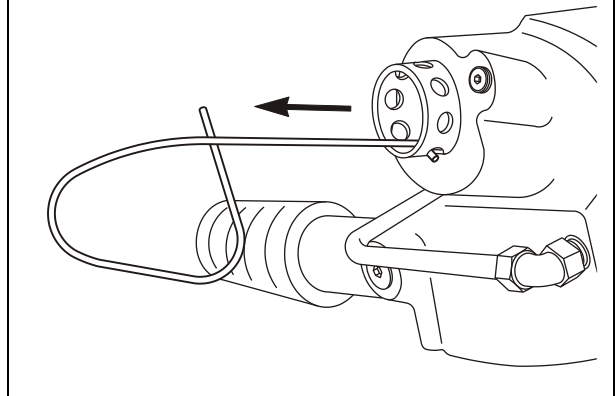
Figura 6. Tapa y piezas de la válvula de aire listas para ser introducidas en el cuerpo de la válvula.



5.2.4 Si hace falta proseguir con el desmontaje, repita los pasos anteriores (5.2.1 a 5.2.3) y retire cuidadosamente la camisa y el segundo tope.

NOTA: para retirar la camisa, introduzca una herramienta con gancho romo (utilice hilo de estaño de soldadura u otro metal igualmente blando) en uno de los orificios de la camisa y tire de ella hacia el exterior (vea Figura 7).

Figura 7. Extracción de la camisa mediante un gancho montado en varilla de metal blando.



5.2.5 Inspeccione las cuatro juntas tóricas de la camisa y deshágase de las que estén deterioradas, gastadas o deformadas.

5.2.6 Tire el segundo tope (interno) si está deteriorado o gastado.

5.2.7 Aplique lubricante Haskel n.º ref. 28442 abundantemente en todas las juntas tóricas y sellos.

5.2.8 Instale un tope interno en el fondo del orificio del cuerpo de la válvula. Coloque la junta tórica interna del extremo sobre el tope interno.

Con las dos juntas tóricas intermedias colocadas sobre la camisa, deslice la camisa dentro del orificio, apoyándola sobre la junta tórica interna y el tope. A continuación ajuste la cuarta junta tórica uniformemente sobre su correspondiente alojamiento en el extremo de la camisa, utilizando un pistón de válvula piloto/tapón como herramienta de asiento.

5.2.9 Repita la instalación de las piezas restantes con arreglo a la sección **5.2.3.1**.

5.3 Válvulas Piloto

NOTA: Antes de efectuar una reparación, pruébelas según la sección **5.4**.

Desmonte las válvulas piloto de la siguiente manera (utilizando como referencia el plano de montaje detallado correspondiente):

NOTA: El siguiente procedimiento describe el desmontaje de la válvula piloto desde ambos extremos del sistema neumático, el de la válvula de control y el del accesorio de caudal. Utilice los párrafos aplicables, dependiendo de si la válvula piloto se va a inspeccionar o va a ser reparada.

5.3.1 Desconecte la tubería necesaria para permitir separar el conjunto de la válvula de aire de la tapa terminal.

5.3.2 Utilice una llave adecuada para sujetar la tuerca larga. Retire el perno, la arandela de fijación y la arandela plana situados en la parte superior del accesorio de caudal.

5.3.3 Retire los dos pernos de casquete, arandelas de fijación y arandelas planas ubicadas en la cara inferior del conjunto de la válvula de aire (o el accesorio de caudal). Con precaución para evitar deteriorar o perder piezas pequeñas, levante el conjunto de la válvula de aire (o el accesorio de caudal) de la tapa terminal. Retire el muelle, la junta tórica y el vástago de la válvula piloto.

5.3.4 Retire el tubo de caudal y el tubo piloto. Inspeccione las juntas tóricas de los extremos de ambos tubos y sustituya las que estén deterioradas, gastadas o deformadas. Relubrique con lubricante n.º ref. 28442.

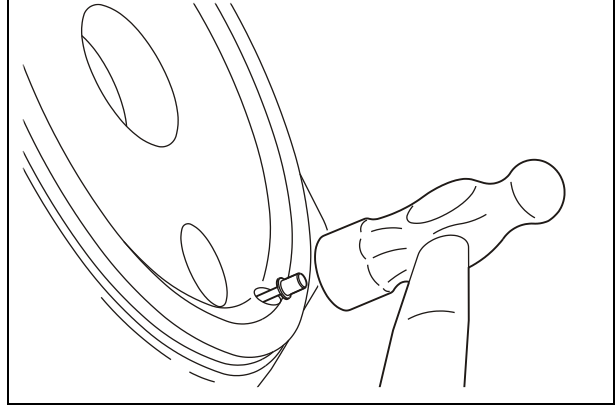
5.3.5 Compruebe que las válvulas piloto no presentan desperfectos. Sustituya la válvula si el vástago está doblado o arañado.

5.3.6 La válvula situada bajo el accesorio de caudal es de asiento moldeado, mientras que la situada bajo el conjunto de la válvula de aire es del tipo de asiento de junta tórica recambiable. Inspeccione la

junta recambiable y sustitúyala si está deteriorada, gastada o deformada. Inspeccione el asiento moldeado de la válvula piloto opuesta. Si está deteriorado, sustituya toda la válvula piloto. A la válvula de asiento moldeado ubicada bajo el accesorio de caudal le corresponde el más corto de los dos muelles.

NOTA: A menos que aparezcan fugas excesivas, no se recomienda sustituir la junta interna del vástago de ninguna de las válvulas piloto, puesto que requiere desmontar el cilindro del sistema neumático. Si es necesario sustituir alguna, se debe tomar la precaución de instalar concéntricamente el anillo retenedor Tru-Arc, tal como se muestra en la **Figura 8**. Utilizando la propia válvula de asiento moldeado como herramienta de asiento y centrado, coloque el anillo retenedor, retenedor y junta en el vástago, de manera que la cara de goma de la válvula apoye contra el anillo retenedor. Introduzca la junta en su alojamiento. Golpee ligeramente el extremo superior de la válvula piloto con un martillo pequeño para que se doblen uniformemente las patas del anillo retenedor.

Figure 8. Centering and installing seal retaining ring using pilot step as tool



5.3.7 Aplique lubricante Haskel n.º ref. 28442 a las piezas de la válvula piloto y vuelva a montar en sentido inverso.

5.4 Prueba del Sistema de Pilotaje

Si el accionamiento neumático no mueve el compresor, mediante el siguiente procedimiento se puede determinar cuál de las dos válvulas piloto está defectuosa:

5.4.1 Retire el tapón n.º ref. 17568-2 de la tobera para manómetro, próxima a la placa retenedora.

5.4.2 Instale un manómetro de 0-160 psi como mínimo en la tobera de 1/8" NPT.

5.4.3 Aplique presión de aire a la entrada del sistema de accionamiento (y al sistema de pilotaje externo si la máquina lo tiene). El manómetro marcará una presión baja hasta que la válvula piloto del extremo de la válvula de aire entre en contacto con el pistón neumático e invierta la dirección. El manómetro marcará entonces la presión del aire de piloto hasta que la válvula piloto opuesta (en el accesorio de caudal) entre en contacto, ventilando así la presión de pilotaje. Si ambas válvulas funcionan correctamente, la presión en el manómetro variará rápidamente entre la presión baja y la presión alta y viceversa, al tiempo que la máquina alterna sus posiciones. Un lento **aumento** de la lectura del manómetro indica que hay una fuga aguas abajo del asiento de la válvula piloto de junta recambiable, situada bajo el conjunto de la válvula de aire. Por el contrario, un lento **descenso** de presión indica que hay una fuga aguas abajo del asiento de la válvula piloto de asiento moldeado, situada bajo el accesorio de caudal. Verifique también que la longitud de los muelles es adecuada y que no hay fugas externas en el tapón del manómetro o en los extremos del tubo piloto.

5.5 Sistema de Accionamiento Neumático

Desmonte la sección del cilindro y el pistón de accionamiento neumático de la siguiente manera (siempre consultando el plano de montaje detallado correspondiente):

5.5.1 Desconecte toda la tubería para permitir que las distintas secciones del compresor se puedan mover a derecha o izquierda al separar el circuito de accionamiento.

5.5.2 Retire el perno, la arandela de fijación y la arandela plana (sujete la tuerca larga para evitar que se desenrosque) situados en la cara superior del accesorio de caudal.

5.5.3 Retire las ocho tuercas, arandelas de fijación y arandelas planas que sujetan los cuatro pernos de sujeción del accionamiento neumático y levante cuidadosamente las tapas terminales (manteniendo intactas las secciones de compresión de gas), para tener acceso al pistón del accionamiento y a los pasadores que sujetan los vástagos al conjunto del pistón de accionamiento.

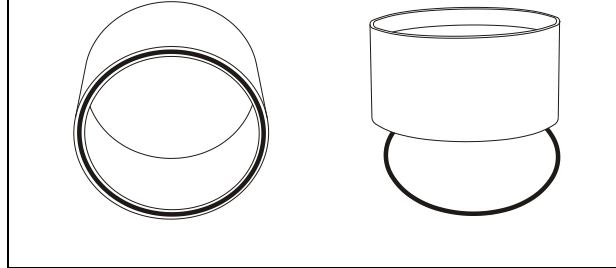
5.5.4 Retire la junta en E, extraiga uno de los pasadores y desconecte uno de los vástagos del conjunto del pistón, de manera que el cilindro de aire y la junta tórica del pistón de accionamiento se puedan retirar para ser inspeccionados.

5.5.5 Inspeccione las juntas tóricas estáticas de la unión del cilindro con la tapa terminal. Saque el pistón del cilindro e inspeccione la junta grande interior.

NOTA: Si la junta tórica grande está muy "encajada" en su alojamiento, es probable que esté hinchada, en cuyo caso debería ser sustituida.

Sustituya las piezas que estén deterioradas o gastadas. Asimismo, compruebe la merma de la junta tórica grande del pistón, apoyándola sobre una superficie plana, coloque a continuación el cilindro de aire sobre ella. El diámetro exterior de la junta debe ser suficientemente grande como para ser recogida por el cilindro, tal como se muestra en la **Figura 9**. Si no es así, tírela y ponga otra nueva.

Figure 9. Checking drive piston o-ring for shrinkage



5.5.6 Limpie todas las piezas y examínelas en busca de marcas, arañazos y muescas.

5.5.7 Aplique lubricante Haskel n.º ref. 28442 a todas las juntas tóricas y a la superficie interna del cilindro y vuelva a montar todas las piezas del sistema neumático, las tapas terminales con la sección de compresión, y todas las tuberías de gas y auxiliares en orden inverso a las instrucciones de desmontaje.

5.5.8 Apriete alternativamente, en cruz, las tuercas de las varillas de unión hasta un par de apriete máximo de 250-300 in.lb.

5.6 Válvulas de Retención del Gas

NOTA: El síntoma más claro de que alguna válvula de retención necesita reparación es que la tapa terminal del circuito de compresión no se caliente durante el funcionamiento. Esto significa que no se está comprimiendo o se está comprimiendo poco (**consulte la sección 6, Prueba de compresión**).

El despiece de las válvulas de retención de entrada y salida de la serie 8AGD es idéntico para ambas tapas terminales del pistón de gas, aunque puede ser distinto en el caso de la serie 8AGT. A pesar de que las piezas puedan ser idénticas para una serie particular de compresor, es importante observar las diferencias en posición de estas piezas en relación al conjunto de la tubería de interconexión y consultar siempre el plano de montaje detallado durante las reparaciones.

5.6.1 Desconecte tantas tuberías como sea necesario para dar acceso a las válvulas de retención.

5.6.2 Utilizando una llave adecuada, desenrosque el accesorio de la tobera de la tapa terminal. Inspeccione la junta tórica y sustitúyala si está deteriorada, gastada o deformada.

5.6.3 Retire las piezas restantes del interior de la válvula de retención y examínela en busca de desperfectos o desgaste. Los sellos y las juntas tóricas son las piezas que con más probabilidad necesitarán ser sustituidas y con tal objeto están codificadas en el plano de montaje de acuerdo con el juego de juntas de recambio al que pertenecen.

5.6.4 Limpie todas las piezas (**consulte la sección 5.1**) y examínelas en busca de mellas, ranuras y deformaciones y renueve aquéllas que estén deterioradas.

5.6.5 NO aplique lubricante a ninguna de estas piezas.

NOTA: Para centrar adecuadamente todas las piezas durante el montaje, recomendamos que mantenga las toberas en posición vertical. Para ello necesitará retirar la tapa terminal del circuito de gas en la mayor parte de los casos.

5.6.6 Vuelva a montar las piezas de la válvula de retención en el orden que se muestra en el detalle del plano de montaje. Consulte en las notas del plano de montaje las características especiales, como el par de apriete necesario para las tuercas de las varillas de unión.

5.7 Pistones de Gas

NOTA: Es normal que haya ligeras fugas de gas de entrada en una junta de alta presión dinámica del pistón de gas, que se pueden detectar fácilmente poniendo el dedo sobre la tobera del respiradero n.º ref. 21703-2 (con el accionamiento parado). Si la fuga llega a ser audible, significa que la junta del pistón de gas está demasiado gastada.

Desmonte los pistones de gas, consultando el plano de montaje detallado, de la siguiente manera:

5.7.1 Desconecte tantas tuberías como sea necesario para permitir retirar las tapas terminales del circuito de gas.

5.7.2 Retire las cuatro tuercas y arandelas de fijación de las varillas de unión de la sección de compresión de gas.

NOTA: En este punto se recomienda separar toda la sección de gas, como un conjunto, de la sección del accionamiento, separando el vástago del pistón según los apartados **5.5.3** y **5.5.4**. Sujete a continuación la tapa terminal de la sección de gas (o placa retenedora) con una mordaza y prosiga con el desmontaje y montaje.

5.7.3 Retire la tapa terminal o placa retenedora. Examine la junta tórica y el anillo de apoyo que tiene la tapa en su interior y sustitúyalos si están deteriorados, gastados o deformados.

5.7.4 Retire la camisa de refrigeración (con el silenciador asociado), el cilindro de gas de alta presión y las juntas tóricas estáticas. Inspecciónelas y sustituya si están deterioradas, gastadas o deformadas.

5.7.5 El resto del desmontaje depende del despiece en particular que muestre el plano de montaje correspondiente. La extensión del desmontaje vendrá marcada por la causa inicial de aquél, es decir, fuga de la tapa terminal, fuga de la junta del pistón o fuga de la junta del vástago del accionamiento neumático. Las juntas tóricas, sellos y anillos de apoyo son normalmente las piezas que necesitan sustituirse, por lo cual están codificadas con arreglo a un juego de recambio.

5.7.6 Limpie todas las piezas (**según la sección 5.1**) y examínelas en busca de mellas, ranuras, arañazos o muescas en su superficie, así como deformación en el muelle Belleville.

5.7.7 Sustituya todas aquellas piezas que presenten desperfectos. Inspeccione el interior del cilindro de gas de alta presión con una luz clara. Debe presentar una superficie suave como la de un espejo. En caso de que apareciesen ligeros arañazos, se podría reparar con un suave pulido.

NOTA: NO aplique lubricante de ninguna clase a cojinetes, sellos, juntas tóricas, anillos de apoyo o superficie interna del cilindro de gas.

5.7.8 Vuelva a montar las piezas del pistón de gas en orden inverso al desmontaje. El ajuste final y la colocación de la chaveta en la tuerca del pistón de gas se deben efectuar con las piezas **dentro** del cilindro de gas. Consulte los detalles finales en las instrucciones del plano de montaje.

5.7.9 Apriete alternativamente (en cruz) las tuercas de las varillas de unión hasta el par de apriete máximo que se especifica en las notas del plano de montaje.

6. Prueba de Compresión: Pistón y Válvulas de Retención de la Sección de Gas

6.1 Propósito:

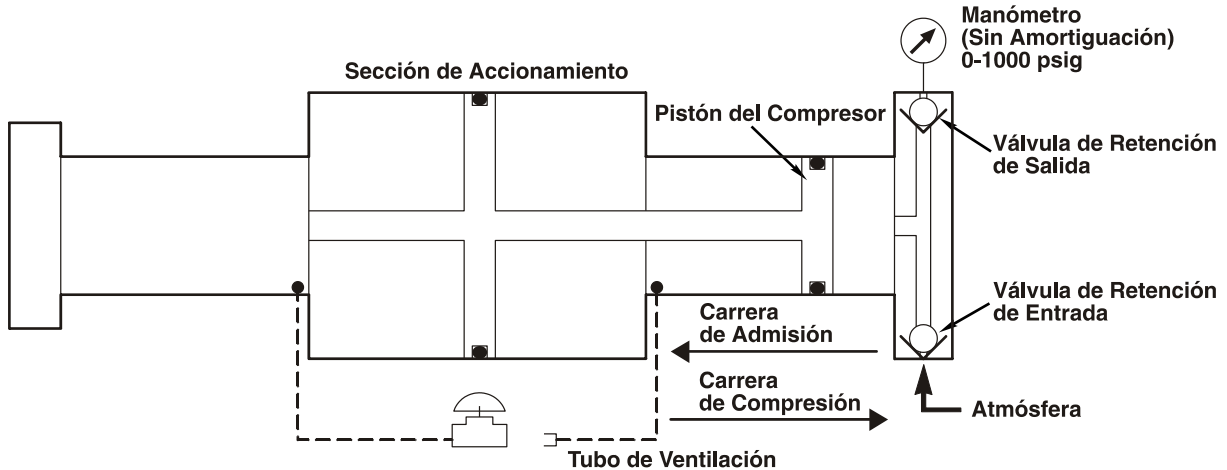
Evaluación rápida de la integridad de cualquier sección individual del compresor (antes o después de una reparación).

6.2 Teoría:

Cada sección de gas de un compresor elevador de presión consta de un pistón sellado que se mueve alternativamente dentro de un cilindro de gas con paredes lisas; el gas se admite a través de una válvula de retención en la carrera de admisión y se expelle en su mayor parte durante la carrera de compresión a través de una válvula de retención de salida.

Por lo tanto: EL ESTADO DE TODAS ESTAS PIEZAS SE PUEDE CALIBRAR COMPRIMIENDO DIRECTAMENTE AIRE DE LA ATMÓSFERA HASTA 1000 psig EN CUALQUIER SECCIÓN DE COMPRESIÓN DE CUALQUIERA DE LOS MODELOS.

6.3 Esquema de la Prueba:



6.4 Prueba:

Instale un manómetro. Accione el compresor a velocidad moderada hasta que la presión deje de subir. Registre esa presión máxima.

6.5 Análisis de los Resultados:

6.5.1 Si se han alcanzado las siguientes presiones, se considerará que el circuito de gas está en buenas condiciones:

MODELO – n.º	AUMENTO MÍNIMO DE PRESIÓN DESDE LA ENTRADA ATMOSFÉRICA, psig
8AGD -5	225
8AGD -14	225
8AGD -30	250
8AGD -60	315

Si la presión máxima alcanzada en la prueba es inferior al mínimo de la tabla, indicará que hay fugas excesivas en la junta del pistón, en la válvula de retención de entrada o en la de salida.

6.5.2

COMPORTAMIENTO OBSERVADO EN EL PUNTERO DEL MANÓMETRO	REPARACIÓN
A. RÁPIDA CÁIDA DE PRESIÓN DESDE EL MÁXIMO	A. VÁLVULA DE RETENCIÓN DE SALIDA
B. LENTO AUMENTO DURANTE LA CARRERA DE COMPRESIÓN	B. VÁLVULA DE RETENCIÓN DE ENTRADA O JUNTA DEL PISTÓN CON EL CILINDRO

Si el comportamiento es B: DESCONECTE EL AIRE DE ACCIONAMIENTO PARA DETENER LA PULSACIÓN*. Aplique una presión de 80 a 500 psi a la tobera de entrada de gas con **aire limpio y seco** o gas.

- Si hay una fuga audible por el tubo de ventilación, la junta del pistón está defectuosa o el cilindro de gas está arañado.
- Si hay una fuga apenas detectable, el problema está en la válvula de retención de entrada. Desmonte y repare.

* **PRECAUCIÓN:** NO HAGA FUNCIONAR NUNCA LA UNIDAD CUANDO SE ESTÉ APLICANDO PRESIÓN A LA ENTRADA DE GAS Y EL MANÓMETRO ESTÉ INSTALADO EN LA TOBERA DE SALIDA. EL MANÓMETRO QUEDARÍA EXPUESTO A SOBREPRESIÓN.

7. Guía de Localización de Averías

7.1 Síntoma	7.2 Posible Causa	7.3 Solución
<p>El accionamiento no arranca ni se mueve con un mínimo de 20 psi de presión neumática.</p>	<p>El suministro de aire está obstruido o es inadecuado.</p> <p>La corredera de la válvula de aire está agarrotada.</p> <p>Alguno de los vástagos de las válvulas piloto es demasiado corto.</p> <p>El escape o ventilación tiene hielo.</p> <p>Los silenciadores están obstruidos.</p>	<p>Verifique el suministro de aire y el regulador.</p> <p>Limpie la corredera, siguiendo las instrucciones de desmontaje de la válvula de aire del apartado 5.2.</p> <p>Sustituya la válvula defectuosa.</p> <p>El aire de accionamiento tiene demasiada humedad. Instale un sistema que corrija este defecto.</p> <p>Retírelos, desmóntelos y límpielos.</p>
<p>El accionamiento no se mueve bajo carga y la ventilación del sistema de pilotaje tiene fuga continua de aire.</p>	<p>El muelle de la válvula piloto se ha roto o está defectuoso (piloto del extremo de la válvula de aire).</p> <p>Junta tórica defectuosa de la válvula piloto (piloto del extremo de la válvula de aire).</p>	<p>Sustituya el muelle.</p> <p>Sustituya la junta tórica.</p>
<p>El accionamiento no se mueve. Hay fuga de aire por los silenciadores.</p>	<p>Caudal de aire de accionamiento insuficiente.</p> <p>Merma o deterioro de las juntas de la corredera o de la junta grande del pistón.</p>	<p>Aumente el tamaño de la línea neumática.</p> <p>Inspeccione en primer lugar las juntas de la corredera. Si están deterioradas, sustitúyalas y pruebe el funcionamiento. Si no tienen daños, desmonte el accionamiento y examine el tamaño de la junta tórica grande según la Figura 9 del apartado 5.5.5.</p>
<p>El accionamiento se mueve, pero no se produce compresión del gas (la tapa terminal no se calienta).</p>	<p>Compruebe que las válvulas asienten correctamente o que el pistón no fugue en exceso.</p>	<p>Consulte el procedimiento de prueba de compresión y el análisis de resultados del apartado 6.</p>

1. Introdução

As informações contidas nestas Instruções Gerais de Operação e Manutenção correspondem aos Compressores de Gás tipo Gas Booster com Comando Pneumático da Série 8AG. As designações básicas atuais dos modelos são: 8AGD-5, -14, -30, -60 e 8AGT-5/14, -5/30, -14/30, -14/60 e -30/60. As informações também se aplicarão às modificações especiais de unidades-padrão - como as que incluem vedações especiais ou outros materiais para meios de propulsão, gases bombeados ou condições ambientais pouco correntes; e/ou aquelas com conexões de tubo especiais, acessórios instalados, etc., para fins especiais. Embora estas modificações não sejam tratadas de forma detalhada nestas instruções, elas serão descritas em detalhes na lista de peças / desenhos de conjuntos modificados e nos desenhos de instalação fornecidos com cada unidade no momento da entrega.

Estes compressores de gás tipo gas booster são (normalmente) compressores de gás do tipo pistão alternativo de alta capacidade, com comando pneumático e que dispensam lubrificação, oferecido nas configurações monoestágio, dupla ação (modelo 8AGD) e duplo estágio (modelo 8AGT). O número de modelo representa a relação aproximada entre a área dos pistões pneumáticos e a área dos pistões a gás. Desta maneira, o modelo 8AGD-5 tem uma área de trabalho de comando pneumático de cerca de 5 vezes a área do pistão de gás; o 8AGT-5/14, uma área de comando pneumático de cerca de 5 vezes a área do pistão do primeiro estágio e de cerca de 14 vezes a área correspondente ao segundo estágio.

2. Descrição

2.1 Princípio Geral de Operação

unidade, é acionado automaticamente de forma alternativa por uma válvula carretel pneumática não balanceada e sem trava de segurança de 4 vias. Esta válvula é acionada ao ser pressurizada e ventilada de forma alternativa pela ação da válvula pneumática piloto sobre uma de suas extremidades. O ar piloto é controlado por duas válvulas de ar piloto que são acionadas de forma mecânica pelo pistão de comando. Tal comando pneumático está diretamente conectado aos dois pistões da seção de compressão de gás, que ficam uma de frente para a outra em cada extremidade. Os pistões são projetados para operação a seco, sem lubrificação, e para elevar a pressão do gás de entrada até a pressão de saída desejada - sem contaminação por hidrocarbonetos. O ar que sai do comando pneumático (resfriado devido à expansão após o término do trabalho) é usado para refrigerar os cilindros do pistão de gás (através das camisas), assim como a saída de alta pressão e as linhas de gás entre estágios (através de uma câmara de refrigeração).

2.2 Seção de Comando Pneumático

Consulte os desenhos detalhados do conjunto da válvula pneumática e da seção de comando que acompanham cada unidade. A seção de comando consiste de um conjunto de pistão de comando; um conjunto de válvula pneumática não balanceada de 4 vias do tipo carretel e duas válvulas piloto. As conexões consistem de uma conexão de entrada de comando, duas grandes conexões de saída, além de entrada piloto, dreno piloto e uma conexão para manômetro (com bujão) para o sistema piloto. As roscas NPT são padronizadas.

Uma válvula piloto localiza-se na tampa terminal da válvula de controle e a outra na tampa terminal da conexão de escoamento. Um tubo de escoamento liga o fluxo de ar da tampa terminal da válvula até a tampa oposta, e um tubo piloto conecta as duas válvulas piloto, que estão instaladas em série. A válvula carretel pneumática funciona sem molas ou limitadores e é acionada ciclicamente pelas válvulas piloto que alternadamente pressurizam e drenam a ampla zona que se encontra no extremo interno da válvula carretel. A conexão de drenagem do sistema piloto localiza-se na tampa terminal da conexão de escoamento.

2.2.1 LUBRIFICAÇÃO:

Durante a montagem, aplica-se graxa de silicone leve (Haskel P/N 28442) em todas as peças móveis e vedações (somente na seção de comando - **não nas seções de gás**). Dependendo do ciclo de trabalho, recomenda-se ocasionalmente relubrificar as vedações, que sejam de fácil acesso, com esta mesma graxa. **Consulte a Seção 5.2.3.1.** Também está disponível, com custo adicional, a modificação n.º 54312 para trabalhos pesados, que possibilita a operação contínua do comando sem uma reaplicação de lubrificação.

Caso não venha instalado de fábrica, monte sempre na linha de suprimento de ar um filtro de ar / separador de água convencional, tipo cartucho, do mesmo tamanho ou maior do que a tubulação de suprimento, chumbe-o e faça sua manutenção com regularidade.

Não utilize dispositivo de lubrificação na linha pneumática.

2.3 Seção de Compressão de Gás (Booster)

Consulte o desenho detalhado do conjunto da(s) seção(ões) de bombeamento de gás que acompanha cada unidade. Cada seção de bombeamento de gás consiste de um cilindro de gás com camisa de refrigeração, um conjunto de pistão com vedações dinâmicas para alta pressão, retentores e mancais, todos fechados por uma tampa terminal que faz parte dos conjuntos das válvulas de retenção de entrada e saída.

NOTA: as vedações das barras de união também são consideradas partes das seções de gás. Cada barra vem equipada com uma vedação dupla com uma pequena ventilação intermediária para aliviar pequenos escapes de comando pneumático. As câmaras internas dos cilindros de gás - atrás do pistão - ficam conectadas a um T com um respirador com filtro (em modelos padronizados). Consulte as Figuras 1 e 2.

Não se utiliza nenhum tipo de lubrificação na seção de bombeamento de gás. A referida seção foi projetada para trabalhar a seco graças às propriedades inerentes de baixo atrito dos materiais das vedações e mancais.

A durabilidade da seção de gás depende também da limpeza do gás fornecido. Por isso, sugere-se filtração micrônica na entrada do gás. Se for necessário bombear ar comprimido ou qualquer outro gás úmido, o ponto de orvalho inicial deve ser suficientemente baixo para evitar a saturação à pressão de saída do compressor (booster) e, se for notada a saída de óleo da fonte de ar comprimido, poderá ser necessário instalar um filtro especial coalescente.

Durante a vida útil dos componentes móveis, é de se esperar a migração partículas inertes para a saída do gás. Por isso, seria bom instalar um pequeno filtro de partículas no circuito de alta pressão.

2.3.1 RELAÇÃO DE COMPRESSÃO - EFICIÊNCIA VOLUMÉTRICA

(Não confundir com "Relação de Áreas")

A relação de compressão de qualquer seção de gás é a relação entre a pressão de saída e a pressão de entrada do gás. (Para calculá-la, use valores absolutos em PSI). As seções de bombeamento de gás foram projetadas para que se tenha o menor volume possível na câmara de compressão no final do curso do pistão. Durante o tempo de retorno (admissão), este gás residual se expande desde a pressão de descarga até a pressão de admissão. Assim, reduz-se a quantidade de gás fresco que pode entrar durante o tempo de admissão. Conseqüentemente, a eficiência volumétrica diminui rapidamente ao aumentar a relação de compressão, até atingir o valor zero, quando o gás não expelido (expandido) enche completamente o cilindro no final do tempo de admissão. Um cilindro com um volume não utilizado de 4% terá a eficiência zero a uma relação de compressão de 25:1 aproximadamente. Por isso, em aplicações que exigem uma elevada relação de compressão, recomenda-se instalar modelos de 2 estágios (8AGT) ou 2 ou mais modelos 8 AGD instalados em série.

Os modelos comerciais de compressores (booster) de gás Haskel foram testados em laboratório. Os resultados destes testes indicam que se pode chegar a relações de compressão de até 40:1 em alguns modelos sob condições ideais. Entretanto, para um funcionamento satisfatório, em condições de produção em aplicações industriais, recomendamos relações de compressão (por estágio) de no máximo 10:1. O funcionamento com relações mais elevadas pode não danificar o equipamento, mas como o fluxo de saída e a eficiência são muito baixas, seu uso deve se limitar à compressão de volumes reduzidos, como os necessários para testes de manômetros, etc.

2.3.2 SISTEMA DE REFRIGERAÇÃO E ESCAPE

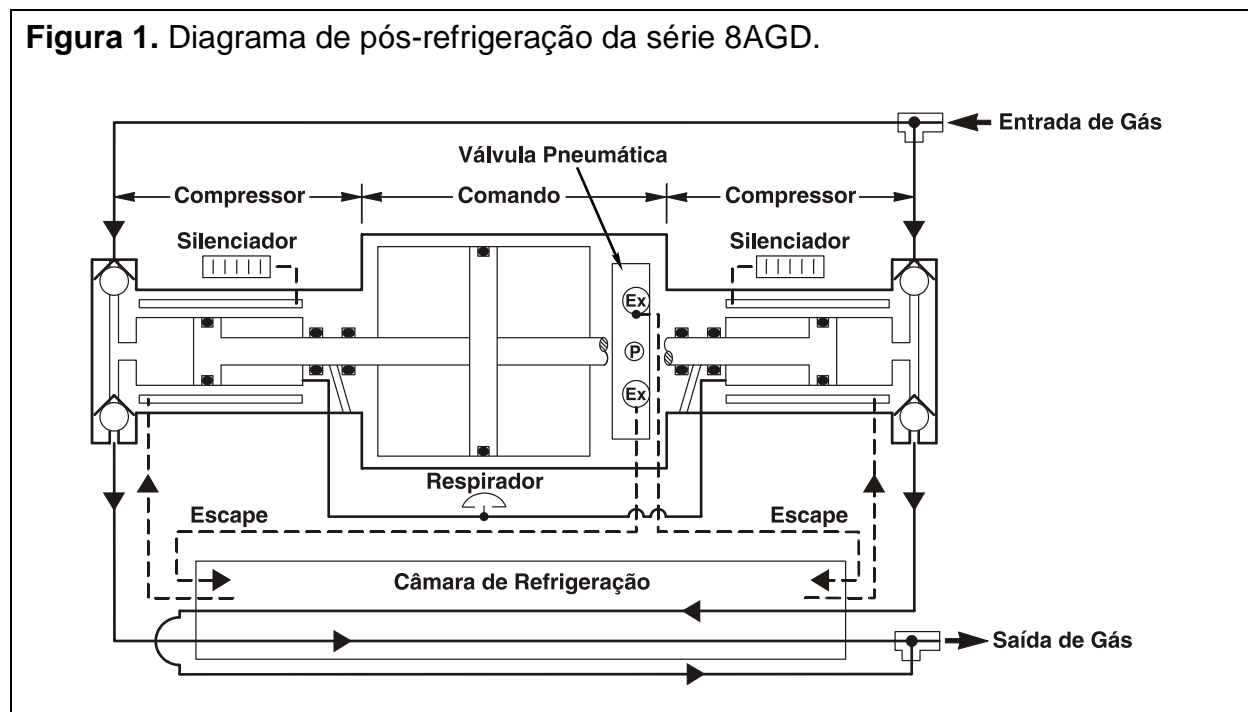
Teoricamente, as relações de compressão acima de 3:1 produzem, na maioria dos gases, temperaturas acima dos limites recomendados para as vedações. Entretanto, na prática, o calor de compressão passa para o cilindro refrigerado pelo ar e para os componentes metálicos adjacentes durante o tempo de compressão do pistão, a uma velocidade relativamente baixa, e tais elementos se mantêm dentro de uma faixa de temperatura permitida. Os testes de laboratório indicam que as temperaturas máximas

aparecem entre as relações de compressão 5:1 e 10:1 e ficou comprovado que a refrigeração com o ar de escape é adequada, inclusive quando o compressor (booster) está funcionando em máxima rotação. A temperatura de descarga do gás pode estar até cerca de 150 °F acima da temperatura ambiente.

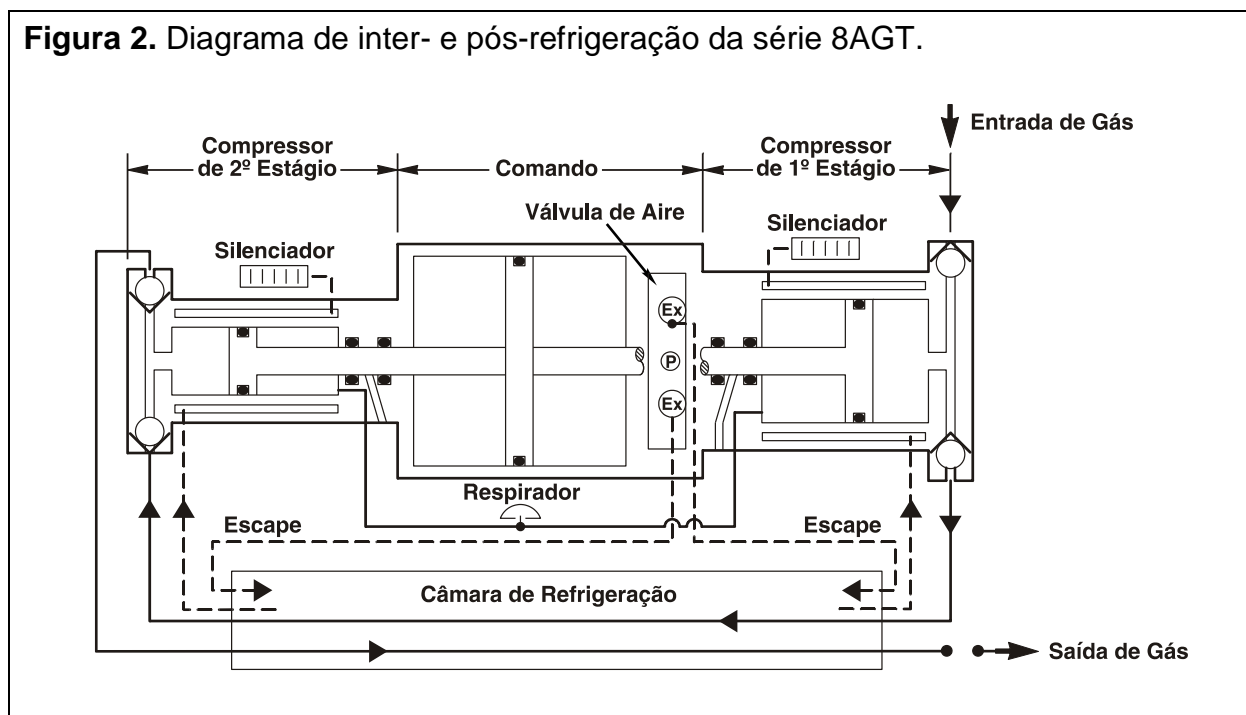
Uma refrigeração eficaz da(s) seção(ões) de bombeamento de gás é de vital importância, pois a durabilidade das vedações do pistão, mancais e selos estáticos depende da operação em temperaturas adequadas. O ar propulsor se expande durante o ciclo de operação, com uma conseqüente grande redução da temperatura. Por isso, este ar de escape muito frio, que sai pelas camisas de refrigeração dos cilindros de gás e pela carcaça da câmara de refrigeração que envolve as linhas de saída e a linha entre os estágios, torna-se um refrigerante muito eficaz.

Tanto nos compressores (boosters) de série 8 AGD como na de 8AGT, a saída de comando pneumático frio entra na câmara de refrigeração e, então, dirige-se até a camisa de refrigeração correspondente de cada cilindro de gás. Na série 8AGD de monoestágio, modelos com dupla ação, o gás quente da saída em alta pressão de ambas as bombas da seção de gás é refrigerado pela passagem pela câmara de refrigeração, antes de sua descarga final (**Figura 1**).

Figura 1. Diagrama de pós-refrigeração da série 8AGD.



Na série de compressores (boosters) 8AGT de dois estágios (**Figura 2**), na qual se pode alcançar temperaturas mais altas devido às relações de compressão mais elevadas, a linha de saída de gás quente da bomba do primeiro estágio é "interrefrigerado", pela passagem pela câmara de refrigeração antes de entrar na bomba do segundo estágio. Além disso, a linha de saída de alta pressão da bomba do segundo estágio, ainda mais quente, é, então "pós-refrigerada" ao passar pela câmara de refrigeração antes de se dirigir à saída final.

Figura 2. Diagrama de inter- e pós-refrigeração da série 8AGT.

para evitar superaquecimento, mesmo que seja difícil prever com exatidão quando isto pode ocorrer. Para fazer um teste, instale um termopar a cerca de 25 mm (1 pol.) do tubo de descarga do circuito de compressão de gás. Se a temperatura neste ponto for superior a 300 °F, a vida útil das vedações do pistão poderá diminuir consideravelmente.

3. Instalação

3.1 Montagem

Todos os modelos podem funcionar em todas as posições que o sistema necessitar. Entretanto, no caso de aplicações de Compressão de Gás Oxigênio, monte todos os modelos horizontalmente com os suportes de montagem virados para baixo.

3.2 Ambiente

Todas as unidades são protegidas por chapeamento ou são constituídas por materiais que permitem a instalação em aplicações tanto em lugares fechados quanto abertos. Deve-se tomar cuidado especial com alguns componentes se o ambiente for corrosivo. Se for previsto que as temperaturas do ambiente fiquem abaixo de zero, recomenda-se a instalação de secadores tanto na seção pneumática quanto na seção de compressão de gás, a fim de que se evite a condensação por umidade.

3.3 Sistema de Comando

Toda a tubulação e os componentes de entrada de ar devem ter amplitude suficiente para permitir que o fluxo de escoamento seja o desejado. O tamanho mínimo recomendado da tubulação para o escoamento deste catálogo é de $\frac{3}{4}$ " D.I. (Diâmetro Interno). Se as linhas pneumáticas forem complexas e tiverem comprimento considerável, o tamanho deverá ser 1" ou maior.

A entrada do comando pneumático padrão é uma conexão fêmea de $\frac{3}{4}$ ", localizada no centro do corpo da válvula pneumática. De forma padrão, o ar de pilotagem passa para o sistema através de um conjunto de tubulação dobrado de uma saída para válvula de $\frac{1}{4}$ " NPT, localizada abaixo da conexão de entrada do comando de $\frac{3}{4}$ " NPT. **Para fonte externa remota**, é colocado um bujão na saída para válvula de $\frac{1}{4}$ " NPT, o conjunto do tubo é removido e a entrada de ar piloto de uma fonte alternativa é conectada à conexão de $\frac{1}{8}$ " NPT localizada na tampa terminal da válvula. A pressão externa piloto deverá ser igual ou superior à pressão de comando.

O sistema de suprimento de comando pneumático (e o de entrada de ar, se for externo) deve incluir sempre um filtro, desde que todos os compressores de ar absorvam normalmente uma considerável quantidade de contaminação.

O comando pneumático exige aproximadamente 15 psi para acionar a válvula pneumática e o pistão pneumático piloto, já lubrificado de fábrica. Não é necessário nem desejável a utilização de dispositivo de lubrificação na linha pneumática.

3.3.1 SILENCIADORES

Para manter o nível mínimo de ruído, pode-se colocar silenciadores distantes da instalação. Se estiverem a uma distância superior a 6 pés, **utilize uma tubulação, tubo ou mangueira de 3/4" D.I.**

3.3.2 DRENO PILOTO

O sistema piloto drena uma pequena quantidade de ar de comando uma vez por ciclo a partir de uma saída para válvula de 1/8" NPT na tampa terminal da conexão de escoamento. Esta ventilação não deve ser nunca obstruída.

3.4 Controles

Para uso geral, o pacote padrão de acessórios para controle pneumático inclui um filtro, um regulador de pressão pneumática com manômetro e uma válvula manual de corte e de controle de velocidade. As taxas de bombeamento mostradas neste catálogo se baseiam no uso de um regulador com capacidade de escoamento equivalente ao tamanho da tubulação de 3/4".

Há outras opções de controle para adaptação a aplicações específicas. Entre elas estão: partida/parada automáticas de comando - através da detecção das pressões de gás de entrada e/ou de saída); controle ajustável de contrapressão; proteção contra sobrepressão com válvulas de alívio, regulação de comando de uma fonte de gás de alta pressão, contagem de ciclos, etc.

Consulte os catálogos atuais, com representantes autorizados ou com a fábrica.

3.5 Sistema de Gás

Consulte as **Figuras 1 e 2** e os desenhos detalhados de instalação que acompanham o modelo específico. O desenho de instalação mostra a localização e os detalhes das conexões de entrada e de saída. Ao apertar uma tubulação de conexão, segure fortemente a conexão com uma chave estrela.

Certifique-se de que as linhas e acessórios de conexão têm o projeto e o fator de segurança adequados para o serviço de gás à pressão em questão.

Nota: consulte também a **Seção 2.3** sobre limpeza do sistema de gás.

4. Considerações de Operação e Segurança

NOTA: Antes de iniciar o trabalho, certifique-se de que o suprimento de gás do compressor (booster) está aberto - e se circulou e se estabilizou pelo sistema e/ou pelos receptores a jusante.

4.1 Partida do Comando

Abra gradualmente o comando pneumático. O compressor começará a pulsar automaticamente mediante a aplicação de aproximadamente 15 psi à entrada de ar ao sistema piloto.

NOTA: Na primeira partida ou se a unidade estiver parada por um longo período, pode ser necessário que a pressão de partida seja um pouco maior.

Observe o aumento da pressão de saída com um manômetro para esta finalidade e que suporte a pressão máxima do sistema.

Em geral, a pressão máxima de saída deve ser controlada automaticamente por um pressostato piloto ou um dispositivo semelhante, respaldado por uma válvula de alívio de segurança. (Consulte os catálogos atuais para uma informação mais completa). Em algumas aplicações, é comum permitir que a unidade bombeie somente até sua pressão máxima e pare, mantendo o equilíbrio - observando sempre que o sistema de tubulação e de válvulas da descarga tenha sido projetado com uma ampla margem de resistência.

Não é prejudicial à unidade deixar pressurizadas as seções de comando y de gás por períodos prolongados, porém pode não ser aconselhável do ponto de vista da segurança, dependendo da instalação.

4.1 Partida do Comando.

Abra gradualmente o comando pneumático. O compressor começará a pulsar automaticamente mediante a aplicação de aproximadamente 15 psi à entrada de ar ao sistema piloto.

NOTA: Na primeira partida ou se a unidade estiver parada por um longo período, pode ser necessário que a pressão de partida seja um pouco maior.

Observe o aumento da pressão de saída com um manômetro para esta finalidade e que suporte a pressão máxima do sistema.

Em geral, a pressão máxima de saída deve ser controlada automaticamente por um pressostato piloto ou um dispositivo semelhante, respaldado por uma válvula de alívio de segurança. (Consulte os catálogos atuais para uma informação mais completa). Em algumas aplicações, é comum permitir que a unidade bombeie somente até sua pressão máxima e pare, mantendo o equilíbrio - observando sempre que o sistema de tubulação e de válvulas da descarga tenha sido projetado com uma ampla margem de resistência.

Não é prejudicial à unidade deixar pressurizadas as seções de comando y de gás por períodos prolongados, porém pode não ser aconselhável do ponto de vista da segurança, dependendo da instalação.

5. Manutenção

5.1 Geral

ADVERTÊNCIA: utilize qualquer solvente para limpeza em uma área bem ventilada. Evite respirar vapores e o contato excessivo com a pele. Mantenha distância de fontes de calor excessivo e de chamas.

Desmonte o equipamento somente até onde for necessário para reparar ou substituir peças defeituosas. Não toque em peças que não estejam ruins ou em conexões de tubulação.

NOTA: Foram incluído desenhos detalhados de montagem específicos para seu modelo como parte destas instruções de manutenção. Considere estas instruções de manutenção como informação geral, embora os desenhos de montagem incluam informações detalhadas e diretamente relacionadas ao seu compressor de gás (booster) específico.

Alguns conjuntos, que raramente necessitam ser desmontados para manutenção, foram montados com Loctite CV (azul) n.º 242 (consulte a coluna de NOTAS no desenho de montagem). Se for inevitável a desmontagem de tais peças, deve-se limpá-las com cuidado e remonta-las com Loctite CV. Tenha cuidado para que este composto não entre em outras juntas ou peças móveis.

É uma boa prática de manutenção substituir mancais, vedações, anéis de vedação (o-rings) e anéis de apoio (consulte os jogos de vedações disponíveis no desenho de montagem correspondente, na coluna NOTAS) cada vez que o equipamento for aberto para inspeção ou substituição de peças.

Seção de Comando Pneumático

As peças retiradas para inspeção devem ser lavadas com solvente Stoddard, gasolina sem chumbo ou equivalente. Evite usar tricloroetileno, percloroetileno, etc., pois tais limpadores deterioram as vedações e chegam ao cilindro de ar às tampas terminais.

Seção de Bombeamento de Gás

As peças devem ser lavadas preferencialmente com triclorotrifluoroetano (agente limpador de precisão com base de Freon).

Inspeccione as peças móveis buscando sinais de desgaste (ranhuras ou riscos) causados por corpos estranhos. Inspeccione todas as peças rosqueadas para ver se há roscas danificadas. Substitua qualquer

peça que tenha mais de 50% da rosca danificada. Se a deterioração afetar menos de 50%, aprofunde os filetes da rosca com um macho de tarraxa adequado.

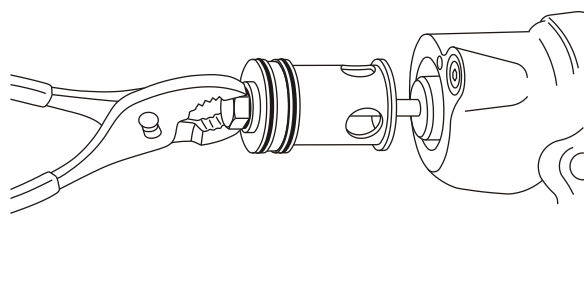
5.2 Conjunto da Válvula Pneumática

Consultando sempre o seu desenho detalhado de montagem, desmonte o conjunto da válvula pneumática, da seguinte forma:

5.2.1 Observe como os parafusos estão lacrados. Retire o lacre de segurança e descarte-o. Retire os quatro parafusos e suas arruelas e levante a placa retentora.

5.2.2 Pegue o bujão sextavado e retire com cuidado o conjunto do pistão piloto e a tampa do corpo da válvula (**veja Figura 3**).

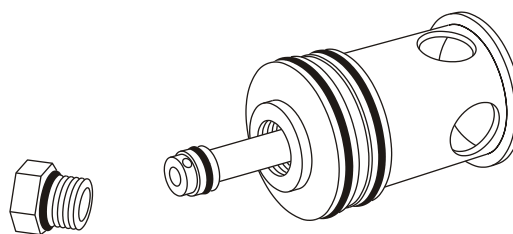
Figura 3. Tampa da válvula pneumática com pistão piloto.



Remova o bujão sextavado vedado com anel o-ring. Remova o eixo da tampa até que se possa ver o anel de vedação (o-rings) na extremidade do eixo (**veja Figura 4**).

Inspecione todas as juntas, tanto as estáticas como as dinâmicas, e substitua aquelas que estiverem danificadas, gastas ou deformadas (se necessário, o uso de ferramentas especiais estará advertido no desenho de montagem).

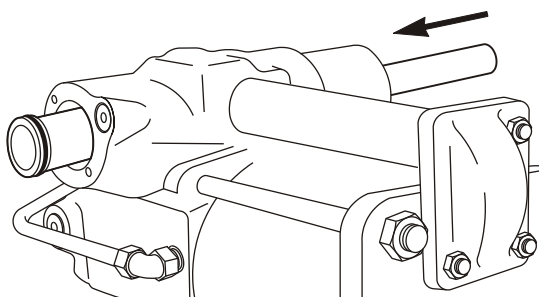
Figura 4. Vedação da extremidade do eixo piloto.



5.2.3 Agora se pode ter acesso ao corpo da válvula. Retire o primeiro amortecedor de plástico. Retire o carretel com cuidado. Inspecione as duas vedações do carretel e as substitua se estiverem danificadas, gastas ou deformadas. Se o carretel não puder ser retirado, retire o cartucho da extremidade oposta da carcaça e empurre o carretel com uma barra ou chave de fenda (**veja Figura 5**).

Utilize uma lanterna para examinar o segundo amortecedor (interno) na extremidade da luva. Se o amortecedor estiver em seu lugar, recoloque todas as peças da seguinte forma:

Figura 5. Empurre a partir da extremidade oposta para retirar o carretel da válvula.



5.2.3.1 Reinstale o bujão sextavado vedado com anel o-ring. Lubrifique as vedações do carretel, incluindo a vedação do pistão piloto (**veja Seção 2.2.1**). Introduza o pistão piloto no carretel com folga entre o amortecedor e o eixo do pistão piloto (**veja Figura 6**).

Introduza todas as peças inserindo primeiro a extremidade menor do carretel dentro da luva e assentando o amortecedor sobre o fundo da luva. Prenda as peças com a placa retentora, quatro arruelas e seus parafusos. Aperte os parafusos a 30 in.lb. de torque. Teste para ver se funciona corretamente. Em caso positivo, instale lacres de segurança novos nos parafusos da tampa.

5.2.4 Se for necessária uma nova desmontagem, repita os passos anteriores (5.2.1 a 5.2.3) e retire cuidadosamente a luva e o segundo amortecedor.

NOTA: para retirar a luva, introduza uma ferramenta com gancho cego (utilize fio de estanho de solda ou outro metal igualmente mole) em um dos orifícios da luva e retire-a do corpo da válvula. (**veja Figura 7**).

5.2.5 Inspeccione os quatro anéis de vedação (o-rings) da luva e descarte os que estiverem danificados, gastos ou deformados.

5.2.6 Descarte o segundo amortecedor (interno) se estiver danificado ou gasto.

5.2.7 Aplique lubrificante Haskel 28442 em abundância em todos os anéis de vedação (o-rings) e vedações.

5.2.8 Instale um amortecedor interno no fundo do orifício do corpo da válvula. **Assente o anel de vedação (o-ring) interno da extremidade da luva sobre o amortecedor interno.**

Com dois anéis de vedação (o-rings) intermediários colocados sobre a luva, deslize-a para dentro do orifício, apoiando-a sobre o anel de vedação interno e sobre o amortecedor. Depois, "ajuste" o quarto anel de vedação (o-ring) **de maneira uniforme** sobre a cavidade na extremidade da luva, utilizando um pistão de válvula piloto / tampa como ferramenta de assento.

5.2.9 Repita a instalação das peças restantes conforme a **Seção 5.2.3.1**.

5.3 Válvulas Piloto

NOTA: Antes de fazer um reparo, teste-as conforme a seção 5.4.

Desmonte as válvulas piloto da seguinte forma (utilizando como referência o respectivo desenho detalhado de montagem):

NOTA: Os procedimentos a seguir descrevem a desmontagem da válvula piloto a partir da tampa terminal da válvula controle e da tampa terminal da conexão de escoamento da seção pneumática. Utilize as seções aplicáveis, dependendo de qual válvula piloto será inspecionada e/ou reparada.

5.3.1 Desconecte a tubulação necessária para que se possa separar o conjunto da válvula pneumática da tampa terminal.

5.3.2 Utilize uma chave adequada para prender a porca larga. Retire el perno, la arandela de fijación y la arandela plana situados en la parte superior del accesorio de caudal.

5.3.3 Retire os dois parafusos de tampa, arruelas de fixação e arruelas planas localizadas na parte inferior do conjunto da válvula pneumática (ou a conexão de escoamento). Com cuidado para evitar

Figura 6. Tampa e peças da válvula pneumática prontas para ser introduzidas no corpo da válvula.

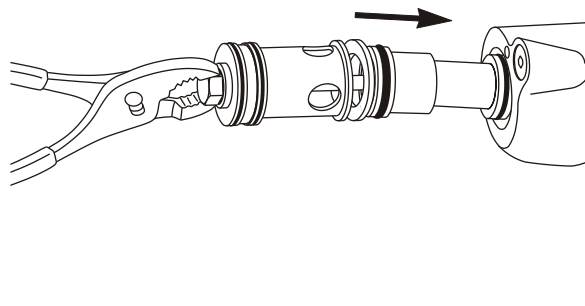
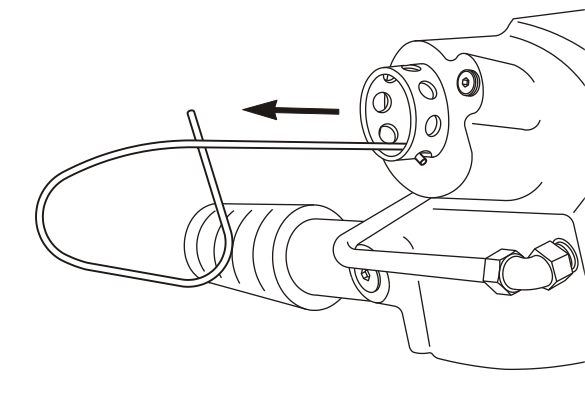


Figura 7. Remoção da luva com gancho de haste de metal mole.



danificar ou perder peças pequenas, levante o conjunto da válvula pneumática (ou a conexão de escoamento) da tampa terminal. Retire a mola, o anel de vedação (o-ring) e a haste da válvula piloto.

5.3.4 Retire o tubo de escoamento e o tubo piloto. Inspeção os anéis de vedação (o-rings) nas extremidades de ambos os tubos e substitua-os se estiverem danificados, gastos ou deformados. Relubrifique com lubrificante 28442.

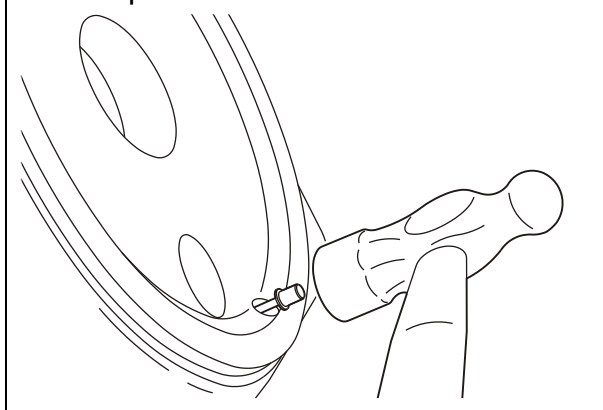
5.3.5 Verifique se as válvulas piloto apresentam defeitos. Substitua a válvula se a haste estiver torta ou riscada.

5.3.6 Uma válvula de sede moldada é usada sob a conexão de escoamento, enquanto que uma válvula com sede de anel de vedação (com orifício) é usada sob o conjunto da válvula pneumática. Inspeção o anel de vedação (o-ring) substituível e substitua-o se estiver danificado, gasto ou deformado. Inspeção a sede moldada da válvula piloto oposta. Se estiver danificado, substitua toda a válvula piloto. A válvula de sede moldada localizada sob a conexão de escoamento usa a mola mais curta.

NOTA: Exceto no caso de vazamentos excessivo, não é recomendável substituir a vedação interna da haste de nenhuma das válvulas piloto, posto que é necessário desmontar o cilindro do comando pneumático. Se for necessária sua substituição, deve-se cuidar para que o anel retentor Tru-Arc seja instalado concentricamente, conforme mostrado na **Figura 8**. Utilize a própria válvula de sede moldada como ferramenta de assento e centralização, coloque o anel retentor, o retentor e a vedação da haste, de modo que a face de borracha da válvula fique virada para o anel retentor. Introduza-o na cavidade de vedação. Bata levemente na parte de cima da válvula piloto com um martelo pequeno para dobrar de forma uniforme as patas do anel retentor.

5.3.7 Aplique lubrificante Haskel 28442 nas peças da válvula piloto e remonte-a seguindo o procedimento inverso.

Figura 8. Centralização e instalação do anel retentor da vedação utilizando a válvula piloto como ferramenta.



5.4 Teste do Sistema Piloto

Se o comando pneumático não acionar o compressor, faça o seguinte teste para verificar qual das válvulas piloto está com defeito:

5.4.1 Retire o bujão de tubulação para a entrada de manômetro (P/N 17568-2) localizado no corpo da válvula pneumática, próximo à placa retentora.

5.4.2 Instale o manômetro (0 a 160 psi ou mais) na entrada de 1/8" NPT.

5.4.3 Aplique uma pressão de ar na entrada do sistema de acionamento (e ao sistema piloto externo caso a máquina o tenha). O manômetro indicará uma pressão baixa até que a válvula piloto na extremidade da válvula pneumática entre em contato com o pistão de comando e inverta a direção. O manômetro marcará então a pressão do ar piloto até que a válvula piloto oposta (na conexão de escoamento) entre em contato, ventilando assim a pressão de pilotagem. Se as duas válvulas funcionarem corretamente, a pressão aumentará de zero até a pressão de pilotagem e vice-versa. Um lento aumento do valor indicado no manômetro indica que há um vazamento após a sede da válvula piloto com anel de vedação (o-ring) substituível, localizada sob o conjunto da válvula pneumática. Por outro lado, uma lenta redução de pressão indica que há um vazamento após a sede moldada na válvula piloto, localizada sob a conexão de escoamento. Verifique também se o comprimento da mola está correto (**veja Seção 5.3.6**) e se há vazamentos externos nos bujões do manômetro ou nas extremidades do tubo piloto.

5.5 Seção de Comando Pneumático

Desmonte a seção do cilindro de comando pneumático e o pistão da seguinte forma (consultando sempre o seu desenho detalhado de montagem):

5.5.1 Desconecte toda a tubulação para que as várias seções de bombeamento de gás possam se mover para a direita ou para a esquerda ao separar a seção de comando.

5.5.2 Retire o parafuso, a arruela de fixação e a arruela plana (segure a porca larga para evitar que se desenrosque) situados na parte superior da conexão de escoamento.

5.5.3 Retire as oito porcas, arruelas de fixação e arruelas planas que prendem os quatro parafusos principais de fixação do comando pneumático e levante cuidadosamente as tampas terminais (mantendo intactas as seções de bombeamento de gás) para ter acesso ao pistão de comando e aos passantes que prendem as hastes ao conjunto do pistão de comando.

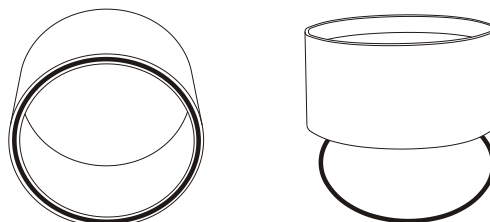
5.5.4 Remova a vedação em E, remova um dos passantes e desconecte uma das hastes do conjunto do pistão, de modo que o cilindro pneumático e o anel de vedação (o-ring) do pistão de comando possam ser retirados para inspeção.

5.5.5 Inspeccione os anéis de vedação (o-rings) estáticos da junção do cilindro com a tampa terminal. Retire o pistão do cilindro e inspeccione a grande vedação interior.

NOTA: Se o anel de vedação grande muito "encaixado" em sua cavidade, é provável que esteja deformado e, portanto, deve ser substituído.

Substitua as peças que estiverem danificadas ou gastas. Além disso, teste a contração do anel de vedação grande do pistão, apoiando-o sobre uma superfície plana. Então, coloque um cilindro pneumático não lubrificado e limpo sobre ele. O diâmetro externo do anel deve ser suficientemente grande para que o cilindro possa recolhê-lo, conforme mostra a **Figura 9**. Se não for desta forma, descarte-o e substitua-o.

Figura 9. Teste da contração do anel de vedação do pistão de comando.



5.5.6 Limpe todas as peças e examine-as em busca de marcas, riscos e ranhuras.

5.5.7 Aplique lubrificante Haskel 28442 em todos os anéis de vedação e na superfície interna do cilindro e remonte todas as peças da seção pneumática, as tampas terminais com a seção de bombeamento, e todas as tubulações de gás e auxiliares na ordem inversa às instruções de desmontagem.

5.5.8 Aperte os tirantes alternadamente (cruzado) com um torque máximo de 250 a 300 in.lb.

5.6 Válvulas de Retenção de Gás

NOTA: O sintoma mais claro de que alguma válvula de retenção necessita de reparo ocorre quando a tampa terminal do circuito de compressão não esquentava durante a operação. Isto significa que há pouca ou nenhuma compressão (**consulte a Seção 6, TESTE DE COMPRESSÃO**).

A composição das válvulas de retenção de entrada e saída da série 8AGD é IDÊNTICA para ambas as tampas terminais do pistão de gás, embora as válvulas de retenção de entrada e saída da série 8AGT possam ser DIFERENTES devido às tampas terminais do pistão de gás. Embora as peças possam ser idênticas para uma série específica de bombas, é importante observar as variações de posição destas peças em relação ao conjunto da tubulação de interconexão e consultar sempre o desenho detalhado de montagem durante os reparos.

5.6.1 Desconecte todas as tubulações necessárias para que se tenha acesso às válvulas de retenção.

5.6.2 Utilizando uma chave adequada, desenrosque a conexão da tampa terminal. Inspeccione o anel de vedação (o-ring) na conexão e substitua-o se estiver danificado, gasto ou deformado.

5.6.3 Retire as peças restantes do interior da válvula de retenção e examine-a em busca de defeitos ou desgaste. As sedes e os anéis de vedação são as peças que com mais probabilidade precisarão ser substituídas e, por tanto, estão codificadas no desenho de montagem para os jogos de substituição.

5.6.4 Limpe todas as peças (**Consulte a Seção 5.1**) e examine-as em busca de entalhes, ranhuras e deformações e renove as que estiverem danificadas.

5.6.5 NÃO lubrifique nenhuma destas peças.

NOTA: Para centralizar de forma adequada todas as peças durante a montagem, recomendamos que as conexões sejam mantidas na posição vertical. Para tanto, será necessário retirar a tampa terminal do circuito de gás na maioria dos casos.

5.6.6 Remonte as peças da válvula de retenção na ordem mostrada nos detalhes do desenho de montagem. Consulte nas notas especiais do desenho de montagem as características especiais, incluindo o torque necessário para os tirantes de união.

5.7 Pistões de Gás

NOTA: É normal que haja pequenos vazamentos na entrada de gás após uma vedação de alta pressão dinâmica do pistão de gás, que se pode detectar facilmente colocando o dedo sobre a saída do respirador 21703-2 (com o comando parado). Entretanto, se o vazamento for audível, significa que a vedação do pistão de gás está muito gasta.

Desmonte os pistões de gás, consultando sempre o desenho detalhado de montagem, da seguinte forma:

5.7.1 Desconecte todas as tubulações necessárias para que se possa remover as tampas terminais do circuito de gás.

5.7.2 Retire as quatro porcas e arruelas de fixação dos tirantes de união da seção de bombeamento de gás.

NOTA: Aqui, recomenda-se separar toda a seção de gás, como um conjunto, da seção de comando, soltando a haste do pistão de acordo com as **Seções 5.5.3 e 5.5.4**. Então, prenda a tampa terminal da seção de gás (ou placa retentora) em um torno e continue com a desmontagem e montagem.

5.7.3 Remova a tampa terminal e/ou placa retentora. Inspeccione o anel de vedação (o-ring) e o anel de apoio que estão dentro da tampa e substitua-os se estiverem danificados, gastos ou deformados.

5.7.4 Remova a luva de refrigeração (com o amortecedor preso), o cilindro de gás de alta pressão e os anéis de vedação estáticos. Inspeccione-os e substitua-os se estiverem danificados, gastos ou deformados.

5.7.5 O restante da desmontagem depende da composição específica mostrada no respectivo desenho de montagem. A extensão da desmontagem deve ser determinada pelas razões iniciais que deram causa a ela; ou seja, vazamento da tampa terminal, vazamento da vedação do pistão ou vazamento da vedação da haste do comando pneumático. Os anéis de vedação, as vedações e os anéis de apoio são normalmente as peças que precisam ser substituídas e, portanto, estão codificadas em um jogo de substituição.

5.7.6 Limpe todas as peças (**de acordo com a Seção 5.1**) e examine-as em busca de entalhes, ranhuras, riscos ou deformações em sua superfície, assim como de deformações na mola Belleville.

5.7.7 Substitua todas as peças que apresentem defeitos. Inspeccione o interior do cilindro de gás de alta pressão com uma luz clara. Esta deve apresentar uma superfície suave como a de um espelho. Caso apareçam pequenos riscos, pode-se repará-los com um polimento suave.

NOTA: NÃO aplique lubrificante de nenhuma classe a mancais, vedações, anéis de vedações (o-ring), anéis de apoio ou na superfície interna

5.7.8 Remonte as peças da válvula do pistão de gás na ordem inversa à desmontagem. O ajuste final e a colocação do contrapino na porca do pistão de gás deve ser feita com as peças **dentro** do cilindro de gás. Consulte os detalhes finais nas instruções do desenho de montagem.

5.7.9 Aperte os tirantes alternadamente (cruzado) com um torque máximo conforme as notas do desenho de montagem.

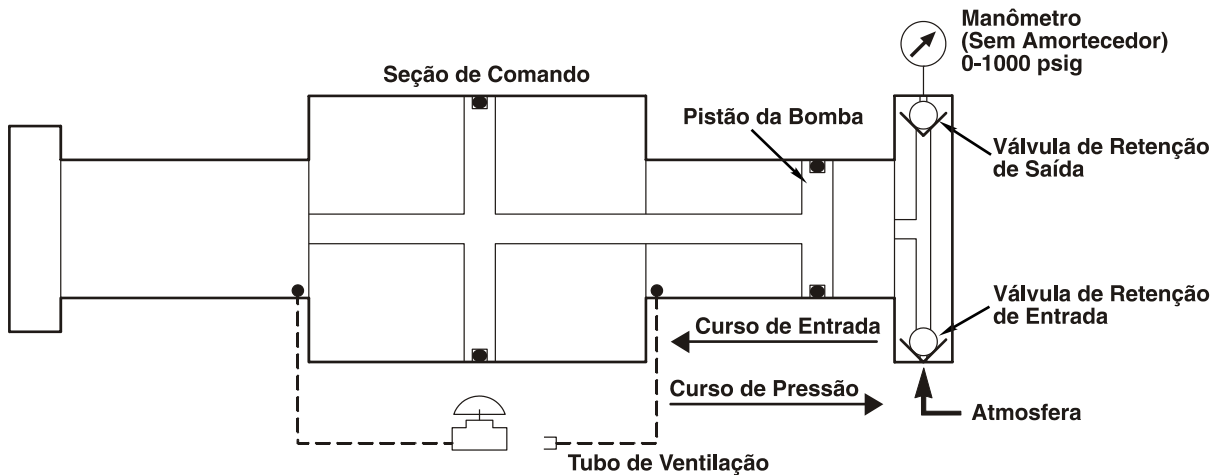
6. Teste de Compressão - Pistão e Válvulas de Retenção da Seção de Gás.

6.1 Objetivo: Avaliação rápida da integridade de qualquer seção individual da bomba (antes ou depois de um reparo).

6.2 Teoria: Cada seção de gás de um compressor de gás tipo gas booster consiste de um pistão vedado que se move alternadamente dentro de um cilindro de gás com paredes lisas; o gás entra através de uma válvula de retenção na carreira de admissão e sai em sua maior parte durante o acionamento da compressão por uma válvula de retenção de saída.

Portanto: AS CONDIÇÕES DE TODAS ESTAS PEÇAS PODE SER MEDIDA COMPRIMINDO-SE DIRETAMENTE O AR ATMOSFÉRICO ATÉ 1000 psig EM QUALQUER SEÇÃO DE COMPRESSÃO DE QUALQUER DOS MODELOS.

6.3 Esquema do teste:



6.4 Teste:

Instale um manômetro. Acione o compressor à velocidade moderada até que a pressão pare de subir. Registre a pressão máxima.

6.5 Análise dos resultados:

6.5.1 Se forem alcançadas as seguintes pressões, deve-se considerar que o circuito de gás está em boas condições:

MODELO – n.º	AUMENTO MÍNIMO DA PRESSÃO A PARTIR DA ENTRADA ATMOSFÉRICA, psig
AGD -5	225
AGD -14	225
AGD -30	250
AGD -60	315

Se a pressão máxima alcançada no teste for inferior ao mínimo da tabela, há a indicação de que há vazamentos excessivos na vedação do pistão e/ou na válvula de retenção de entrada ou na de saída.

6.5.2

COMPORTAMENTO OBSERVADO NO PONTEIRO DO MANÔMETRO	REPARO
A. RÁPIDA CAÍDA DE PRESSÃO A PARTIR DO MÁXIMO	A. VÁLVULA DE RETENÇÃO DE SAÍDA
B. LENTO AUMENTO DURANTE A COMPRESSÃO	B. VÁLVULA DE RETENÇÃO DE ENTRADA OU VEDAÇÃO DO PISTÃO COM O CILINDRO

Se o comportamento for **B**: DESCONECTE O AR DE COMANDO PARA DETER A PULSAÇÃO*. Aplique ar ou gás **limpo e seco** a uma pressão de 80 a 500 psi na entrada do gás.

- Se houver vazamento audível pelo tubo de ventilação, a vedação do pistão está com defeito ou o cilindro de gás está arranhado.
- Se houver um vazamento apenas detectável, o problema está na válvula de retenção de entrada. Desmonte e repare.

* **PRECAUÇÃO**: NUNCA PONHA A UNIDADE PARA FUNCIONAR QUANDO HOUVER APLICAÇÃO DE PRESSÃO À ENTRADA DO GÁS E O MANÔMETRO ESTIVER INSTALADO NA CONEXÃO DE SAÍDA. ASSIM, EXPÕE-SE O MANÔMETRO A SOBREPRESSÃO.

7. Guia de Correção de Falhas

7.1 Sintoma	7.2 Causa Provável	7.3 Solução
A bomba não funciona nem circula com no mínimo 20 PSI no comando pneumático.	<p>O suprimento de ar está obstruído ou é inadequado.</p> <p>O carretel da válvula pneumática está preso.</p> <p>Uma das hastes da válvula piloto é muito curta.</p> <p>Há gelo no escape ou na ventilação.</p> <p>Os silenciadores estão obstruídos.</p>	<p>Verifique o suprimento de ar e o regulador.</p> <p>Limpe o carretel, seguindo as instruções de desmontagem da válvula de ar da Seção 5.2.</p> <p>Substitua a válvula piloto defeituosa.</p> <p>Há muita umidade no comando pneumático. Instale um sistema que corrija este defeito.</p> <p>Retire-os, desmonte-os e limpe-os.</p>
O comando não se move sob carga e a ventilação piloto tem vazamento contínuo de ar.	<p>A mola da válvula piloto está quebrada ou defeituosa (piloto da extremidade da válvula pneumática).</p> <p>O anel de vedação (o-ring) da válvula piloto está defeituoso (extremidade da válvula pneumática).</p>	<p>Substitua a mola.</p> <p>Substitua o anel de vedação (o-ring).</p>
O comando não se move. Há vazamento de ar pelos amortecedores.	<p>Saída de ar de comando insuficiente.</p> <p>Contração ou dano das vedações do carretel e/ou vazamento excessivo do pistão de gás.</p>	<p>Aumente o tamanho da linha pneumática.</p> <p>Inspeccione primeiro as vedações do carretel. Se estiverem danificadas, substitua-as e teste seu funcionamento. Se não apresentarem danos, desmonte o comando e examine o tamanho do anel de vedação grande conforme a Figura 9 e a Seção 5.5.5.</p>
O comando se move, porém não bombeia o gás (a tampa terminal não esquenta).	<p>Teste se as válvulas de retenção estão assentadas corretamente ou se há vazamento excessivo no pistão de gás.</p>	<p>Consulte o procedimento de teste de compressão e a análise de resultados da Seção 6.</p>

Operating and Maintenance Instructions

CE Compliance Supplement

SAFETY ISSUES

- a. Please refer to the main section of this instruction manual for general handling, assembly and disassembly instructions.
- b. Storage temperatures are 25°F – 130°F (-3.9°C – 53.1°C).
- c. Lockout/tagout is the responsibility of the end user.
- d. If the machine weighs more than 39 lbs (18 kg), use a hoist or get assistance for lifting.
- e. Safety labels on the machines and meanings are as follows:



General Danger



Read Operator's Manual

- f. In an emergency, turn off the air supply.
- g. Warning: If the pump(s) were not approved to ATEX, it must NOT be used in a potentially explosive atmosphere.
- h. Pressure relief devices must be installed as close as practical to the system.
- i. Before maintenance, liquid section(s) should be purged if hazard liquid was transferred.
- j. The end user must provide pressure indicators at the inlet and final outlet of the pump.
- k. Please refer to the drawings in the main instruction manual for spare parts list and recommended spare parts list.

Our products are backed by outstanding technical support, and excellent reputation for reliability, and world-wide distribution.

Nuestros productos están respaldados por una asistencia técnica excepcional, una excelente reputación de fiabilidad y una distribución a nivel mundial.

Nossos produtos têm o respaldo de uma excelente assistência técnica, uma grande reputação de confiabilidade e um eficiente sistema de distribuição em todo o mundo.

LIMITED WARRANTY

Haskel manufactured products are warranted free of original defects in material and workmanship for a period of one year from the date of shipment to first user. This warranty does not include packings, seals, or failures caused by lack of proper maintenance, incompatible fluids, foreign materials in the driving media, in the pumped media, or application of pressures beyond catalog ratings. Products believed to be originally defective may be returned, freight prepaid, for repair and/or replacement to the distributor, authorized service representative, or to the factory. If upon inspection by the factory or authorized service representative, the problem is found to be originally defective material or workmanship, repair or replacement will be made at no charge for labor or materials, F.O.B. the point of repair or replacement. Permission to return under warranty should be requested before shipment and include the following: The original purchase date, purchase order number, serial number, model number, or other pertinent data to establish warranty claim, and to expedite the return of replacement to the owner.

If unit has been disassembled or reassembled in a facility other than Haskel, warranty is void if it has been improperly reassembled or substitute parts have been used in place of factory manufactured parts.

Any modification to any Haskel product, which you have made or may make in the future, has been and will be at your sole risk and responsibility, and without Haskel's approval or consent. Haskel disclaims any and all liability, obligation or responsibility for the modified product; and for any claims, demands, or causes of action for damage or personal injuries resulting from the modification and/or use of such a modified Haskel product.

HASKEL'S OBLIGATION WITH RESPECT TO ITS PRODUCTS SHALL BE LIMITED TO REPLACEMENT, AND IN NO EVENT SHALL HASKEL BE LIABLE FOR ANY LOSS OR DAMAGE, CONSEQUENTIAL OR SPECIAL, OF WHATEVER KIND OR NATURE, OR ANY OTHER EXPENSE WHICH MAY ARISE IN CONNECTION WITH OR AS A RESULT OF SUCH PRODUCTS OR THE USE OF INCORPORATION THEREOF IN A JOB. THIS WARRANTY IS EXPRESSLY MADE IN LIEU OF ALL OTHER WARRANTIES OR MERCHANTABILITY AND FITNESS FOR A PARTICULAR PURPOSE OR OTHERWISE, OTHER THAN THOSE EXPRESSLY SET FORTH ABOVE, SHALL APPLY TO HASKEL PRODUCTS.

Haskel International Inc.
100 East Graham Place
Burbank, CA 91502 USA

Tel: 818-843-4000
Email: sales@haskel.com
www.haskel.com

